

Technical Data Sheet

CODE 17169

LINEO 315 ES

Energy saving mixed flow extractor fans



Certifications



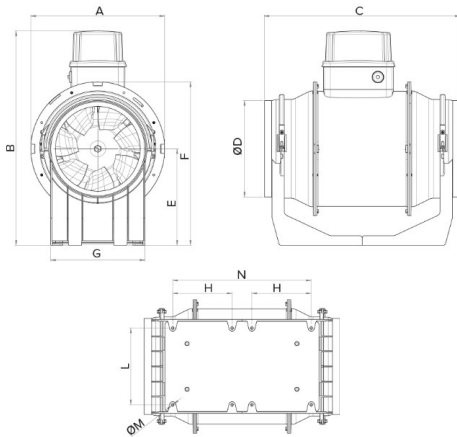
CB TEST CERTIFICATE

Technical and performance data

Corrente max assorbita a 2V (A)	0,13	Max pressure at 4V (Pa)	143,2
Frequency (Hz)	50-60	Max pressure at 6V (Pa)	214,8
Insulation class	II ^o	Max pressure at 10V (mmH2O)	43
IP	45	Max pressure at 4V (mmH2O)	14,6
Max absorbed current at 10V (A)	1,75	Max pressure at 6V (mmH2O)	21,9
Max absorbed current at 4V (A)	0,37	Max pressure at 8V (mmH2O)	38,6
Max absorbed current at 6V (A)	0,63	Max pressure at 8V (Pa)	378,6
Max absorbed current at 8V (A)	1,32	Portata max a 2V (l/s)	222,2
Max absorbed power at 10V (W)	230	Portata max a 2V (m3/h)	800
Max absorbed power at 4V (W)	45	Potenza sonora Lw [dB (A)] IN ASPIRAZIONE - a 2V	66,5
Max absorbed power at 6V (W)	77	Potenza sonora Lw [dB (A)] IN MANDATA - a 2V	67,5
Max absorbed power at 8V (W)	170	Pressione max a 2V (mmH2O)	5,1
Max ambient temperature for continuous operation (°C)	50	Pressione max a 2V (Pa)	50
Nominal diameter (mm)	315	Pressione sonora Lp [dB (A)] 3m IN ASPIRAZIONE - a 2V	48,9
Ø Discharge hole (mm)	300	Pressione sonora Lp [dB (A)] 3m IN MANDATA - a 2V	50
Potenza max assorbita a 2V (W)	15	Pressione sonora Lp [dB (A)] 3m IRRADIATO - a 2V	26,3
Voltage (V)	220-240	RPM 2V	790
Weight (Kg)	9,2	RPM at 10V	2370
Breakout sound power at 10V Lw [dB (A)]	68,1	RPM at 4V	1300
Breakout sound power at 2V LWA [dB (A)]	46,8	RPM at 6V	1600
Breakout sound power at 4V Lw [dB (A)]	63	RPM at 8V	2130
Breakout sound power at 6V Lw [dB (A)]	64,6	Sound power at extract side at 10V speed LWA [dB (A)]	92,8
Breakout sound power at 8V Lw [dB (A)]	65,3	Sound power at extract side at 4V speed LWA [dB (A)]	83,1
Breakout sound pressure at 3m at 10V Lp [dB (A)]	47,5	Sound power at extract side at 6V speed LWA [dB (A)]	88
Breakout sound pressure at 3m at 4V Lp [dB (A)]	42,5	Sound power at extract side at 8V speed LWA [dB (A)]	90,7
Breakout sound pressure at 3m at 6V Lp [dB (A)]	44	Sound power at supply side at 10V speed LWA [dB (A)]	90
Breakout sound pressure at 3m at 8V Lp [dB (A)]	44,8	Sound power at supply side at 4V speed LWA [dB (A)]	80,8
Max airflow at 10V (l/s)	729,2	Sound power at supply side at 6V speed LWA [dB (A)]	88,2
Max airflow at 10V (m³/h)	2625	Sound power at supply side at 8V speed LWA [dB (A)]	88,8
Max airflow at 4V (l/s)	393,1	Sound pressure at extract side at 3m at 10V Lp [dB (A)]	75,3
Max airflow at 4V (m³/h)	1415	Sound pressure at extract side at 3m at 4V Lp [dB (A)]	65,6
Max airflow at 6V (l/s)	483,3	Sound pressure at extract side at 3m at 6V Lp [dB (A)]	70,4
Max airflow at 6V (m³/h)	1740	Sound pressure at extract side at 3m at 8V Lp [dB (A)]	73,2
Max airflow at 8V (l/s)	644,4	Sound pressure at supply side at 3m at 10V Lp [dB (A)]	72,4
Max airflow at 8V (m³/h)	2320	Sound pressure at supply side at 3m at 4V Lp [dB (A)]	63,3
Max pressure at 10V (Pa)	421,7		

Sound pressure at suply side at 3m at 6V Lp [dB (A)]	70,6
Sound pressure at suply side at 3m at 8V Lp [dB (A)]	71,2

Dimensions



Size A (mm)	373
Size B (mm)	506
Size C (mm)	420
Size D (mm)	Ø 307
Size E (mm)	224
Size F (mm)	398
Size G (mm)	309
Size H (mm)	110
Size L (mm)	255
Size M (mm)	Ø 8,5
Size N (mm)	259,5

PER INFORMAZIONI / FOR INFORMATION

ITALY

Pre Sales:
prevendita@vortice-italy.com
 After Sales:
postvendita@vortice-italy.com

UNITED KINGDOM & REP. OF

IRELAND
 Sales Dept:
sales@vortice.ltd.uk
 Technical Dept:
technical@vortice.ltd.uk

OTHER COUNTRIES

Sales Dept:
export@vortice-italy.com
 After Sales:
after-sales@vortice-italy.com

Technical Data Sheet

CODE 17169

LINEO 315 ES

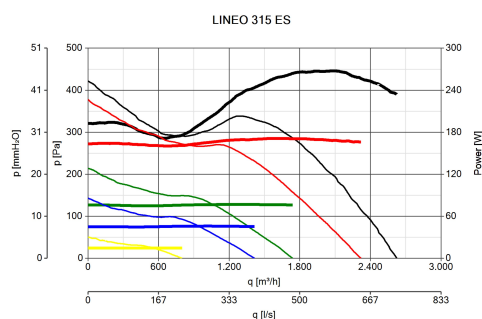
Energy saving mixed flow extractor fans



Description

- Enclosures made of fire resistant plastic resin, E2 class, according with ISO EN 11925-2: 2010, in areas close to motor and electrical components.
- Nominal diameter 315 mm.
- EC (brushless) motor, thermally protected, with shaft mounted on ball bearing supports, coupled with a centrifugal impeller.
- High water resistance: IPX5 (if installed in a duct).
- Equipped with a thermal fuse overheating safety device.
- Speed adjustable through potentiometer (0-10V signal) or two-speed switch (to be set at the installation in a preset range).

Curves



Accessories



C TEMP
Code 12992



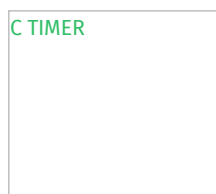
C SMOKE
Code 12993



C HCS
Code 12994



C PIR
Code 12998



C TIMER
Code 12999



POT-IT
Code 12826



POT
Code 12828

PER INFORMAZIONI / FOR INFORMATION

ITALY
Pre Sales:
prevendita@vortice-italy.com
After Sales:
postvendita@vortice-italy.com

UNITED KINGDOM & REP. OF
IRELAND
Sales Dept:
sales@vortice.ltd.uk
Technical Dept:
technical@vortice.ltd.uk

OTHER COUNTRIES
Sales Dept:
export@vortice-italy.com
After Sales:
after-sales@vortice-italy.com

