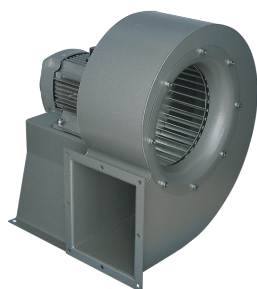


Technical Data Sheet

CODE 30302

C 10/2 M

Centrifugal fans



Certifications



CE

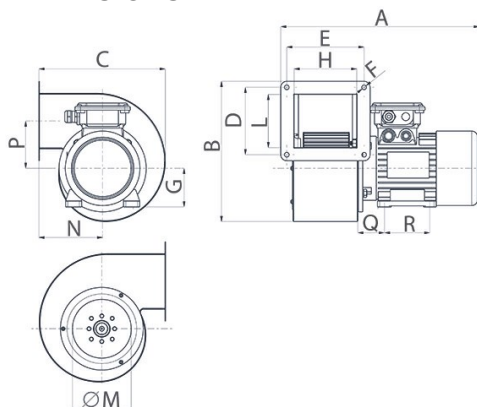


EAC

TECHNICAL AND PERFORMANCE DATA

Absorbed Current max (A)	0,45	Voltage (V)	230
Absorbed Power max (W)	100	Weight (Kg)	2,7
Frequency (Hz)	50	Delivery max (l/s)	83,3
Insulation Class	I°	Delivery max (m³/h)	300
Max ambient temperature for continuous operation (°C)	50	Pressure max (mmH2O)	25
Motor IP protection	55	Pressure max (Pa)	245
Number of Poles	2	RPM	2800
		Sound Pressure level Lp [dB (A)] 3m	55,5

DIMENSIONS



Dimensione Q (mm)	36
Dimensione R (mm)	71
Number of Clamps	4
Size A (mm)	260
Size B (mm)	186
Size C (mm)	171
Size D (mm)	72
Size E (mm)	82
Size F (mm)	6,5
Size G (mm)	56
Size H (mm)	68
Size L (mm)	63
Size M (mm)	∅ 80
Size N (mm)	81
Size P (mm)	66,5

PER INFORMAZIONI:

Servizio al Cliente: tel +39 02 90699395 premendo 1 dopo messaggio registrato (consulenza su prodotti e impianti)

Pre & Post Vendita: fax +39 02 90699302

Email prevendita: prevendita@vortice-italy.com

Technical Data Sheet

CODE 30302

C 10/2 M

Centrifugal fans



DESCRIPTION

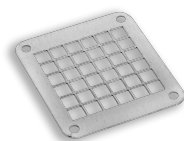
- Frame and scroll: painted pressed steel, with multiple fixing holes configured to allow alignment of the motor in 8 different positions relative to the outlet port.
- Single phase AC motor with 1 operating speed and shaft turning in ball bearings.

- Centrifugal impeller with forward-curved blades of zinc-coated steel, dynamically balanced (UNI ISO 1940, Point 1 – Class 6.3).
- Maximum air flow: 300 m³/h.

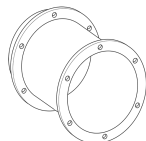
ACCESSORIES



C-GA 10
(GRIGLIA
PROT.ASPIRAZIONE)
Code 22801



C-GM 10
(GRIGLIA
PROT.MANDATA)
Code 22811



C-RA 10
(RACCORDO DI
ASPIRAZIONE)
Code 22825



IREM INVERTER
4 M
Code 12815

PER INFORMAZIONI:

Servizio al Cliente: tel +39 02 90699395 premendo 1 dopo messaggio registrato (consulenza su prodotti e impianti)

Pre & Post Vendita: fax +39 02 90699302

Email prevendita: prevendita@vortice-italy.com