

Technical Data Sheet

CODE 30306

C25/2T ATEX II 2G/D H
T3/125°C X GB/DB



Centrifugal fans for installation in potentially explosive areas



Certifications

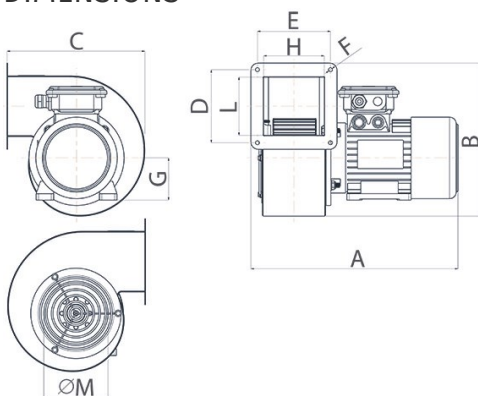
CE ATEX-CE

EAC EAC

TECHNICAL AND PERFORMANCE DATA

Absorbed Current max (A)	1,10	Number of speeds	1
Absorbed Power max (W)	482	Voltage (V)	400
Frequency (Hz)	50	Weight (Kg)	8,5
Insulation Class	I°	Delivery max (l/s)	305,6
IP	65	Delivery max (m³/h)	1100
Max ambient temperature for continuous operation (°C)	+ 40	Pressure max (mmH2O)	67
Min ambient temperature for continuous operation (°C)	- 20	Pressure max (Pa)	657
Number of Phases (Ph)	3	RPM	2800
Number of Poles	2	Sound Pressure level Lp [dB (A)] 3m	66,5

DIMENSIONS



Dimensione Q (mm)	136
Dimensione R (mm)	90
Size A (mm)	365
Size B (mm)	258
Size C (mm)	232
Size D (mm)	124
Size E (mm)	142
Size F (mm)	8,5
Size G (mm)	71
Size H (mm)	115
Size L (mm)	98
Size M (mm)	108
Size N (mm)	146
Size O (mm)	142
Size P (mm)	112
Size S (mm)	108

PER INFORMAZIONI:

Servizio al Cliente: tel +39 02 90699395 premendo 1 dopo messaggio registrato (consulenza su prodotti e impianti)

Pre & Post Vendita: fax +39 02 90699302

Email prevendita: prevendita@vortice-italy.com

Technical Data Sheet

CODE 30306

**C25/2T ATEX II 2G/D H
T3/125°C X GB/DB**



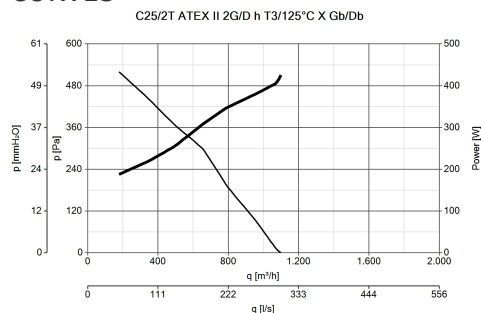
Centrifugal fans for installation in potentially explosive areas

DESCRIPTION

- Scroll made of pressed steel, pickled and phosphated, and treated initially with epoxy base coat; thereafter, grey textured finish obtained by applying a coat of polyurethane powder paint strengthened by oven baking. Scroll housings drilled with holes to allow repositioning of the outlet port (LG90).
- Inlet port made of copper.
- Mesh grille on inlet port made of steel wire, zinc-coated, pickled and phosphated, epoxy powder coated and baked in oven, colour black.
- Frame and scroll: painted pressed steel, with multiple fixing holes configured to allow alignment of the motor in 8 different positions relative to the outlet port (see drawing attached).
- 1 speed three-phase AC motor with shaft turning in double shielded ball bearings, size to UNEL MEC standard, flange B35, manufactured employing methods and materials suitable for use in environments

- with potentially explosive atmospheres, according to Explosion Protection standards EN ISO 80079-36:2016; EN 14986:2017.
- Centrifugal impeller made of aluminium, with forward blades and diecast aluminium hub.
- Maximum air flow 1100 m³/h
- Aluminium cooling fan
- Pressed steel motor cover.
- Metal cable gland for electrical connection.
- Wiring box enclosure rating IP65.
- IMQ-certified for use in areas at risk of explosion due to presence of gas and dust:
- IMQ 10 ATEX 029 X; GR II cat. 2G/D h T3/125 X

CURVES



ACCESSORIES



**C-RA 20/25
ATEX(RACCORDO
DI
ASPIRAZIONE)**
Code 21033



GV2 ME06
Code 21115

PER INFORMAZIONI:

Servizio al Cliente: tel +39 02 90699395 premendo 1 dopo messaggio registrato (consulenza su prodotti e impianti)
Pre & Post Vendita: fax +39 02 90699302
Email prevendita: prevendita@vortice-italy.com