

# Technical Data Sheet

CODE 30324

C 25/2 T E

Centrifugal fans



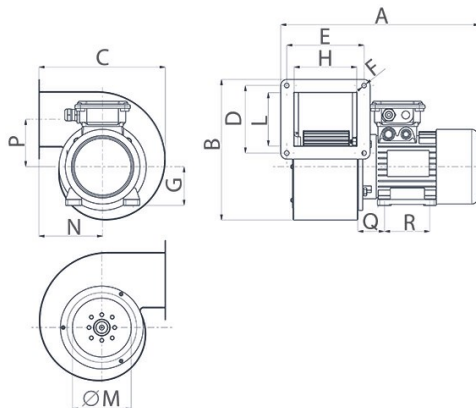
## Certifications



## TECHNICAL AND PERFORMANCE DATA

|   |      |                                     |      |
|---|------|-------------------------------------|------|
| Absorbed Current max (A)                              | 0.63 | Voltage (V)                         | 400  |
| Absorbed Power max (W)                                | 390  | Weight (Kg)                         | 6.3  |
| Frequency (Hz)  | 50   | Delivery max (l/s)                  | 269  |
| Insulation Class                                      | 1°   | Delivery max (m³/h)                 | 970  |
| Max ambient temperature for continuous operation (°C) | 50   | Pressure max (mmH2O)                | 58.0 |
| Motor IP protection                                   | 55   | Pressure max (Pa)                   | 569  |
| Number of Phases (Ph)                                 | 3    | RPM                                 | 2800 |
| Number of Poles                                       | 2    | Sound Pressure level Lp [dB (A)] 3m | 66,5 |

## DIMENSIONS



|                   |       |
|-------------------|-------|
| Dimensione Q (mm) | 45    |
| Dimensione R (mm) | 90    |
| Size A (mm)       | 358   |
| Size B (mm)       | 258   |
| Size C (mm)       | 232   |
| Size D (mm)       | 124   |
| Size E (mm)       | 142   |
| Size F (mm)       | 8,5   |
| Size G (mm)       | 71    |
| Size H (mm)       | 115   |
| Size L (mm)       | 98    |
| Size M (mm)       | ∅ 108 |
| Size N (mm)       | 117   |
| Size P (mm)       | 87    |

### PER INFORMAZIONI:

Servizio al Cliente: tel +39 02 90699395 premendo 1 dopo messaggio registrato (consulenza su prodotti e impianti)

Pre & Post Vendita: fax +39 02 90699302

Email prevendita: [prevendita@vortice-italy.com](mailto:prevendita@vortice-italy.com)

# Technical Data Sheet

CODE 30324

C 25/2 T E

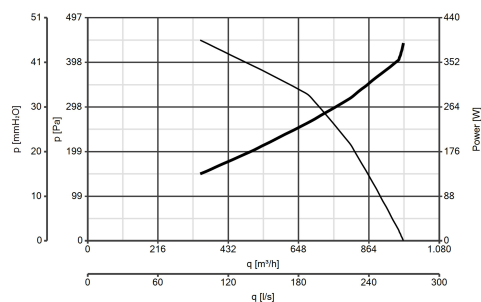
Centrifugal fans



## DESCRIPTION

- Frame and scroll: painted pressed steel, with multiple fixing holes configured to allow alignment of the motor in 8 different positions relative to the outlet port.
- Three-phase AC motor with 1 operating speed and shaft turning in ball bearings.
- Centrifugal impeller with forward-curved blades of zinc-coated steel, dynamically balanced (UNI ISO 1940, Point 1 – Class 6.3).
- Maximum air flow: 1060 m<sup>3</sup>/h.

## CURVES

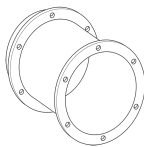


## ACCESSORIES



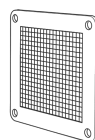
C-MS 20/25  
(SUPPORTO  
MOTORE)

Code 22836



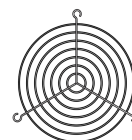
C-RA 20-25  
(RACCORDO DI  
ASPIRAZIONE)

Code 22828



C-GM 25  
(GRIGLIA  
PROT.MANDATA)

Code 22814



C-GA 20/25  
(GRIGLIA  
PROT.ASPIRAZIO)

Code 22803

### PER INFORMAZIONI:

Servizio al Cliente: tel +39 02 90699395 premendo 1 dopo messaggio registrato (consulenza su prodotti e impianti)

Pre & Post Vendita: fax +39 02 90699302

Email prevendita: [prevendita@vortice-italy.com](mailto:prevendita@vortice-italy.com)