

Technical Data Sheet

CODE 30327

C 30/4 M E

Centrifugal fans



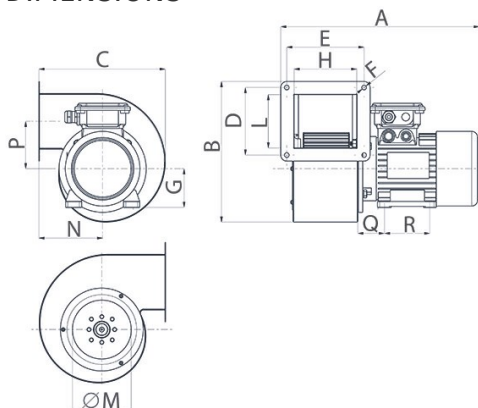
Certifications



TECHNICAL AND PERFORMANCE DATA

| | | | |
|---|-------|-------------------------------------|------|
| Absorbed Current max (A) | 0,582 | Voltage (V) | 230 |
| Absorbed Power max (W) | 132 | Weight (Kg) | 9 |
| Frequency (Hz) | 50 | Delivery max (l/s) | 194 |
| Insulation Class | I° | Delivery max (m³/h) | 700 |
| Max ambient temperature for continuous operation (°C) | 50 | Pressure max (mmH2O) | 19,8 |
| Motor IP protection | 55 | Pressure max (Pa) | 194 |
| Number of Phases (Ph) | 1 | RPM | 1400 |
| Number of Poles | 4 | Sound Pressure level Lp [dB (A)] 3m | 55 |

DIMENSIONS



| | |
|-------------------|-------|
| Dimensione Q (mm) | 45 |
| Dimensione R (mm) | 90 |
| Size A (mm) | 352 |
| Size B (mm) | 308 |
| Size C (mm) | 272 |
| Size D (mm) | 126 |
| Size E (mm) | 137 |
| Size F (mm) | 8,5 |
| Size G (mm) | 71 |
| Size H (mm) | 117 |
| Size L (mm) | 108 |
| Size M (mm) | ∅ 132 |
| Size N (mm) | 131 |
| Size P (mm) | 111 |

PER INFORMAZIONI:

Servizio al Cliente: tel +39 02 90699395 premendo 1 dopo messaggio registrato (consulenza su prodotti e impianti)

Pre & Post Vendita: fax +39 02 90699302

Email prevendita: prevendita@vortice-italy.com

Technical Data Sheet

CODE 30327

C 30/4 M E

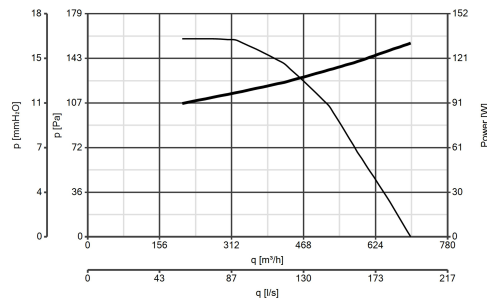
Centrifugal fans



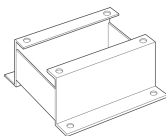
DESCRIPTION

- Frame and scroll: painted pressed steel, with multiple fixing holes configured to allow alignment of the motor in 8 different positions relative to the outlet port.
- Single phase AC motor with 1 operating speed and shaft turning in ball bearings.
- Centrifugal impeller with forward-curved blades of zinc-coated steel, dynamically balanced (UNI ISO 1940, Point 1 – Class 6.3).
- Maximum air flow: 700 m³/h.

CURVES

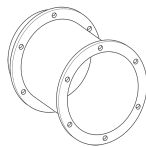


ACCESSORIES



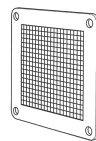
C-MS 30
(SUPPORTO
MOTORE)

Code 22837



C-RA 30
(RACCORDO DI
ASPIRAZIONE)

Code 22829



C-GM 30
(GRIGLIA
PROT.MANDATA)

Code 22816



C-GA 30
(GRIGLIA
PROT.ASPIRAZIO)

Code 22804

PER INFORMAZIONI:

Servizio al Cliente: tel +39 02 90699395 premendo 1 dopo messaggio registrato (consulenza su prodotti e impianti)

Pre & Post Vendita: fax +39 02 90699302

Email prevendita: prevendita@vortice-italy.com