

# Technical Data Sheet

CODE 30330

## C 35/4 M E

Centrifugal fans



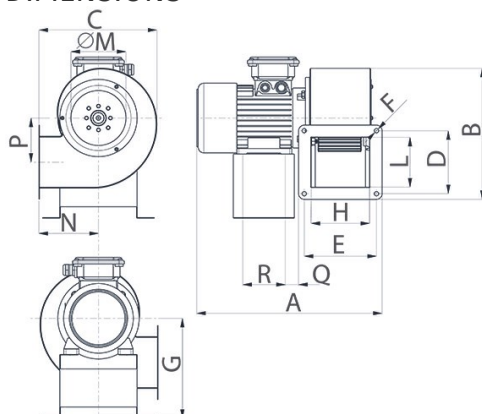
### Certifications



### TECHNICAL AND PERFORMANCE DATA

|   |      |                                     |      |
|---|------|-------------------------------------|------|
| Absorbed Current max (A)                              | 1.37 | Voltage (V)                         | 230  |
| Absorbed Power max (W)                                | 310  | Weight (Kg)                         | 11.0 |
| Frequency (Hz)  | 50   | Delivery max (l/s)                  | 353  |
| Insulation Class                                      | I°   | Delivery max (m³/h)                 | 1270 |
| Max ambient temperature for continuous operation (°C) | 50   | Pressure max (mmH2O)                | 33.1 |
| Motor IP protection                                   | 55   | Pressure max (Pa)                   | 325  |
| Number of Phases (Ph)                                 | 1    | RPM                                 | 1400 |
| Number of Poles                                       | 4    | Sound Pressure level Lp [dB (A)] 3m | 61.0 |

### DIMENSIONS



|                   |       |
|-------------------|-------|
| Dimensione Q (mm) | 45    |
| Dimensione R (mm) | 90    |
| Size A (mm)       | 387   |
| Size B (mm)       | 400   |
| Size C (mm)       | 340   |
| Size D (mm)       | 164   |
| Size E (mm)       | 174   |
| Size F (mm)       | 8,5   |
| Size G (mm)       | 71    |
| Size H (mm)       | 149   |
| Size L (mm)       | 137   |
| Size M (mm)       | ∅ 170 |
| Size N (mm)       | 152   |
| Size P (mm)       | 144   |

#### PER INFORMAZIONI:

Servizio al Cliente: tel +39 02 90699395 premendo 1 dopo messaggio registrato (consulenza su prodotti e impianti)

Pre & Post Vendita: fax +39 02 90699302

Email prevendita: [prevendita@vortice-italy.com](mailto:prevendita@vortice-italy.com)

# Technical Data Sheet

CODE 30330

## C 35/4 M E

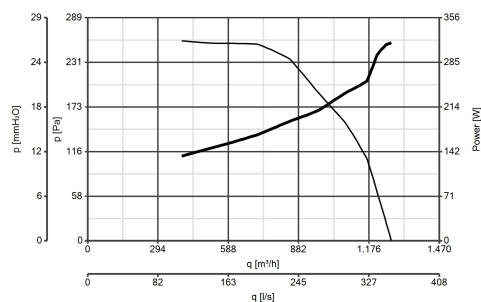
Centrifugal fans



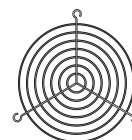
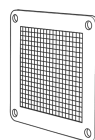
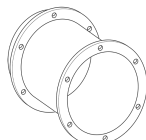
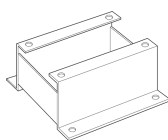
### DESCRIPTION

- Frame and scroll: painted pressed steel, with multiple fixing holes configured to allow alignment of the motor in 8 different positions relative to the outlet port.
- Single phase AC motor with 1 operating speed and shaft turning in ball bearings.
- Centrifugal impeller with forward-curved blades of zinc-coated steel, dynamically balanced (UNI ISO 1940, Point 1 – Class 6.3).
- Maximum air flow: 1520 m<sup>3</sup>/h.

### CURVES



### ACCESSORIES



**C-MS 31/35**  
**(SUPPORTO**  
**MOTORE)**

Code 22838

**C-RA 31-35**  
**(RACCORDO DI**  
**ASPIRAZIONE)**

Code 22830

**C-GM 35**  
**(GRIGLIA**  
**PROT.MANDATA)**

Code 22818

**C-GA 31/35**  
**(GRIGLIA**  
**PROT.ASPIRAZIO)**

Code 22805

#### PER INFORMAZIONI:

Servizio al Cliente: tel +39 02 90699395 premendo 1 dopo messaggio registrato (consulenza su prodotti e impianti)

Pre & Post Vendita: fax +39 02 90699302

Email prevendita: [prevendita@vortice-italy.com](mailto:prevendita@vortice-italy.com)