

# Technical Data Sheet

CODE 30334

## C 40/4 M E

Centrifugal fans



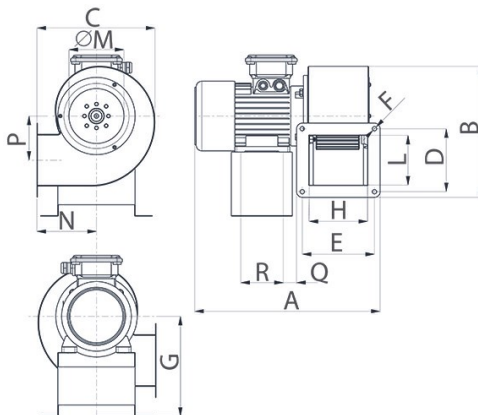
## Certifications



## TECHNICAL AND PERFORMANCE DATA

Absorbed Current max (A)	3.80	Voltage (V)	230
Absorbed Power max (W)	870	Weight (Kg)	21.0
Frequency (Hz)	50	Delivery max (l/s)	750
Insulation Class	I°	Delivery max (m³/h)	2700
Max ambient temperature for continuous operation (°C)	50	Pressure max (mmH2O)	51.0
Motor IP protection	55	Pressure max (Pa)	500
Number of Phases (Ph)	1	RPM	1400
Number of Poles	4	Sound Pressure level Lp [dB (A)] 3m	73.0

## DIMENSIONS



Dimensione Q (mm)	50
Dimensione R (mm)	100
Size A (mm)	468
Size B (mm)	472
Size C (mm)	418
Size D (mm)	214
Size E (mm)	208
Size F (mm)	8,5
Size G (mm)	80
Size H (mm)	185
Size L (mm)	187
Size M (mm)	∅ 199
Size N (mm)	181,5
Size P (mm)	147

### PER INFORMAZIONI:

Servizio al Cliente: tel +39 02 90699395 premendo 1 dopo messaggio registrato (consulenza su prodotti e impianti)

Pre & Post Vendita: fax +39 02 90699302

Email prevendita: [prevendita@vortice-italy.com](mailto:prevendita@vortice-italy.com)

# Technical Data Sheet

CODE 30334

## C 40/4 M E

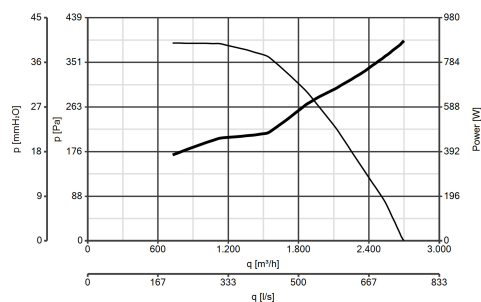
Centrifugal fans



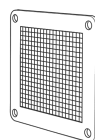
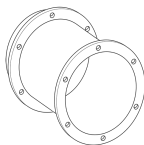
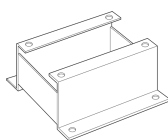
### DESCRIPTION

- Frame and scroll: painted pressed steel, with multiple fixing holes configured to allow alignment of the motor in 8 different positions relative to the outlet port.
- Single phase AC motor with 1 operating speed and shaft turning in ball bearings.
- Centrifugal impeller with forward-curved blades of zinc-coated steel, dynamically balanced (UNI ISO 1940, Point 1 – Class 6.3).
- Maximum air flow: 2650 m<sup>3</sup>/h.

### CURVES



### ACCESSORIES



**C-MS 37/40**  
**(SUPPORTO**  
**MOTORE)**

Code 22839

**C-RA 40**  
**(RACCORDO DI**  
**ASPIRAZIONE)**

Code 22833

**C-GM 40**  
**(GRIGLIA**  
**PROT.MANDATA)**

Code 22820

**C-GA 37/40**  
**(GRIGLIA**  
**PROT.ASPIRAZIO)**

Code 22806

#### PER INFORMAZIONI:

Servizio al Cliente: tel +39 02 90699395 premendo 1 dopo messaggio registrato (consulenza su prodotti e impianti)

Pre & Post Vendita: fax +39 02 90699302

Email prevendita: [prevendita@vortice-italy.com](mailto:prevendita@vortice-italy.com)