

Technical Data Sheet

CODE 30336

C 45/4 T E

Centrifugal fans



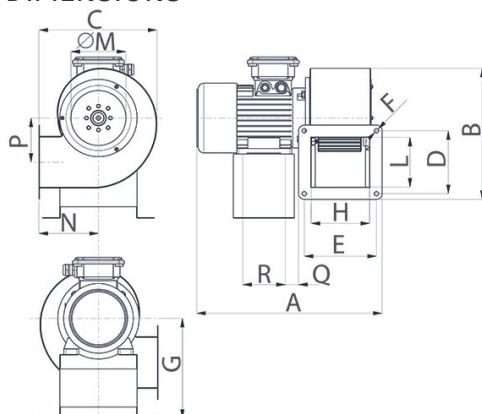
Certifications



TECHNICAL AND PERFORMANCE DATA

Absorbed Current max (A)	4,35	Voltage (V)	400
Absorbed Power max (W)	1900	Weight (Kg)	23,3
Frequency (Hz)	50	Delivery max (l/s)	1250
Insulation Class	1°	Delivery max (m³/h)	4500
Max ambient temperature for continuous operation (°C)	50	Pressure max (mmH2O)	74
Motor IP protection	55	Pressure max (Pa)	726
Number of Phases (Ph)	3	RPM	1400
Number of Poles	4	Sound Pressure level Lp [dB (A)] 3m	70,5

DIMENSIONS



Dimensione Q (mm)	56
Dimensione R (mm)	125
Size A (mm)	549
Size B (mm)	557,5
Size C (mm)	484,5
Size D (mm)	228
Size E (mm)	228
Size F (mm)	9
Size G (mm)	90
Size H (mm)	200
Size L (mm)	200
Size M (mm)	∅ 240
Size N (mm)	222
Size P (mm)	217

PER INFORMAZIONI:

Servizio al Cliente: tel +39 02 90699395 premendo 1 dopo messaggio registrato (consulenza su prodotti e impianti)

Pre & Post Vendita: fax +39 02 90699302

Email prevendita: prevendita@vortice-italy.com

Technical Data Sheet

CODE 30336

C 45/4 T E

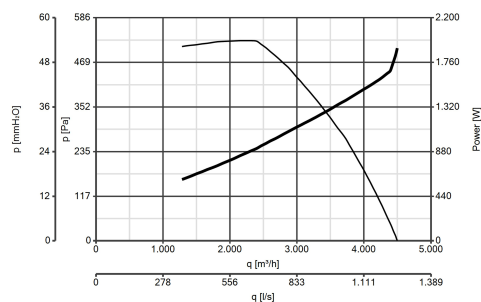
Centrifugal fans



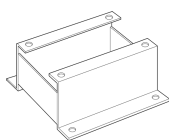
DESCRIPTION

- Frame and scroll: painted pressed steel, with multiple fixing holes configured to allow alignment of the motor in 8 different positions relative to the outlet port.
- Three-phase AC motor with 1 operating speed and shaft turning in ball bearings.
- Centrifugal impeller with forward-curved blades of zinc-coated steel, dynamically balanced (UNI ISO 1940, Point 1 – Class 6.3).
- Maximum air flow: 4500 m³/h.

CURVES

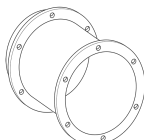


ACCESSORIES



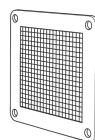
C-MS 45
(SUPPORTO
MOTORE)

Code 22840



C-RA 45
(RACCORDO DI
ASPIRAZIONE)

Code 22834



C-GM 45
(GRIGLIA
PROT.MANDATA)

Code 22821



C-GA 45
(GRIGLIA
PROT.ASPIRAZIO)

Code 22807

PER INFORMAZIONI:

Servizio al Cliente: tel +39 02 90699395 premendo 1 dopo messaggio registrato (consulenza su prodotti e impianti)

Pre & Post Vendita: fax +39 02 90699302

Email prevendita: prevendita@vortice-italy.com