

Technical Data Sheet

CODE 30337

C 46/4 T E

Centrifugal fans



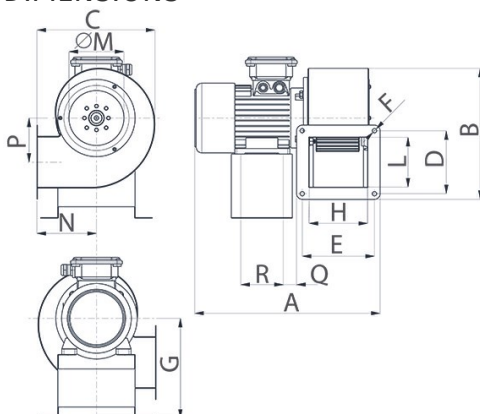
Certifications



TECHNICAL AND PERFORMANCE DATA

Absorbed Current max (A)	5.50	Voltage (V)	400
Absorbed Power max (W)	3400	Weight (Kg)	61.0
Frequency (Hz)	50	Delivery max (l/s)	1847
Insulation Class	1°	Delivery max (m³/h)	6650
Max ambient temperature for continuous operation (°C)	30	Pressure max (mmH2O)	83
Motor IP protection	55	Pressure max (Pa)	814
Number of Phases (Ph)	3	RPM	1400
Number of Poles	4	Sound Pressure level Lp [dB (A)] 3m	76,5

DIMENSIONS



Dimensione Q (mm)	27
Dimensione R (mm)	270
Size A (mm)	592
Size B (mm)	675
Size C (mm)	566
Size D (mm)	306
Size E (mm)	265
Size F (mm)	11,5
Size G (mm)	442
Size H (mm)	236
Size L (mm)	277
Size M (mm)	∅ 288
Size N (mm)	250
Size P (mm)	244,5

PER INFORMAZIONI:

Servizio al Cliente: tel +39 02 90699395 premendo 1 dopo messaggio registrato (consulenza su prodotti e impianti)

Pre & Post Vendita: fax +39 02 90699302

Email prevendita: prevendita@vortice-italy.com

Technical Data Sheet

CODE 30337

C 46/4 T E

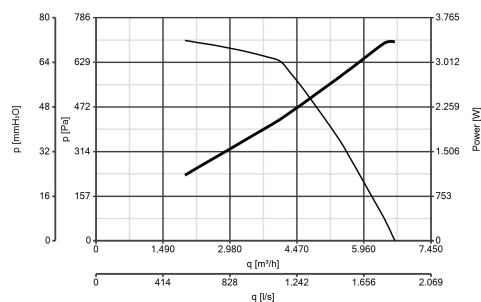
Centrifugal fans



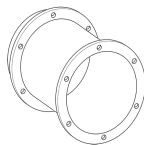
DESCRIPTION

- Frame and scroll: painted pressed steel, with multiple fixing holes configured to allow alignment of the motor in 8 different positions relative to the outlet port.
- Three-phase AC motor with 1 operating speed and shaft turning in ball bearings.
- Centrifugal impeller with forward-curved blades of zinc-coated steel, dynamically balanced (UNI ISO 1940, Point 1 – Class 6.3).
- Maximum air flow: 6800 m³/h.

CURVES

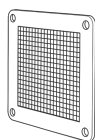


ACCESSORIES



C-RA 46
(RACCORDO DI
ASPIRAZIONE)

Code 22835



C-GM 46
(GRIGLIA
PROT.MANDATA)

Code 22822



C-GA 46
(GRIGLIA
PROT.ASPIRAZIONE)

Code 22808



IRET INVERTER
8 M

Code 12821

PER INFORMAZIONI:

Servizio al Cliente: tel +39 02 90699395 premendo 1 dopo messaggio registrato (consulenza su prodotti e impianti)

Pre & Post Vendita: fax +39 02 90699302

Email prevendita: prevendita@vortice-italy.com