

Technical Data Sheet

CODE 30351

C 10/2 T

Centrifugal fans



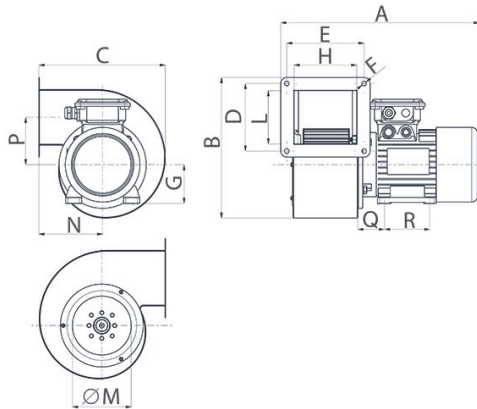
Certifications



TECHNICAL AND PERFORMANCE DATA

Absorbed Current at 230 V (A)	0,50	Number of Poles	2
Absorbed Current at 400 V (A)	0,30	Voltage (V)	230/400
Absorbed Current max (A)	0,50	Weight (Kg)	4,6
Absorbed Power max (W)	130	Delivery max (l/s)	75
Frequency (Hz)	50	Delivery max (m ³ /h)	270
Insulation Class	I ^o	Pressure max (mmH2O)	25
Max ambient temperature for continuous operation (°C)	50	Pressure max (Pa)	245
Max Temperature of Exhaust Air (Continuous Operation)	50	RPM	2800
Motor IP protection	55	Sound Pressure level Lp [dB (A)] 3m	55,5

DIMENSIONS



Dimensione Q (mm)	36
Dimensione R (mm)	71
Size A (mm)	260
Size B (mm)	186
Size C (mm)	171
Size D (mm)	72
Size E (mm)	82
Size F (mm)	6,5
Size G (mm)	56
Size H (mm)	68
Size L (mm)	63
Size M (mm)	∅ 80
Size N (mm)	81
Size P (mm)	66,5

PER INFORMAZIONI:

Servizio al Cliente: tel +39 02 90699395 premendo 1 dopo messaggio registrato (consulenza su prodotti e impianti)

Pre & Post Vendita: fax +39 02 90699302

Email prevendita: prevendita@vortice-italy.com

Technical Data Sheet

CODE 30351

C 10/2 T

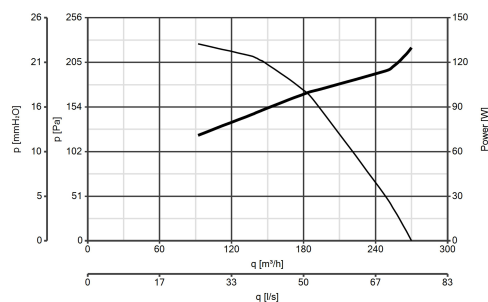
Centrifugal fans



DESCRIPTION

- Frame and scroll: painted pressed steel, with multiple fixing holes configured to allow alignment of the motor in 8 different positions relative to the outlet port.
- Three-phase AC motor with 1 operating speed and shaft turning in ball bearings.
- Centrifugal impeller with forward-curved blades of zinc-coated steel, dynamically balanced (UNI ISO 1940, Point 1 – Class 6.3).
- Maximum air flow: 270 m³/h.

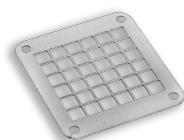
CURVES



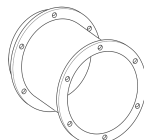
ACCESSORIES



C-GA 10
(GRIGLIA
PROT.ASPIRAZIONE)
Code 22801



C-GM 10
(GRIGLIA
PROT.MANDATA)
Code 22811



C-RA 10
(RACCORDO DI
ASPIRAZIONE)
Code 22825



IRET INVERTER
2,5 M
Code 12816

PER INFORMAZIONI:

Servizio al Cliente: tel +39 02 90699395 premendo 1 dopo messaggio registrato (consulenza su prodotti e impianti)

Pre & Post Vendita: fax +39 02 90699302

Email prevendita: prevendita@vortice-italy.com