

Technical Data Sheet

CODE 30902

C 15/2 M

Centrifugal fans



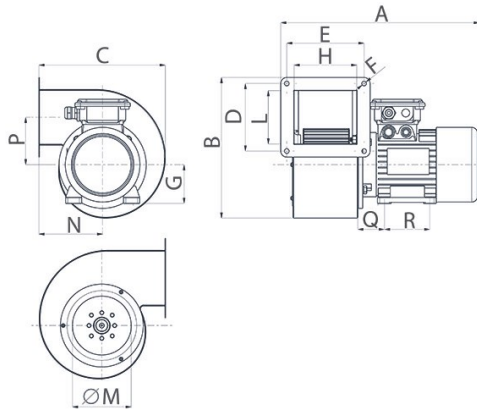
Certifications



TECHNICAL AND PERFORMANCE DATA

Absorbed Current at 230 V (A)	0,70	Number of Poles	2
Absorbed Current max (A)	0,70	Voltage (V)	230
Absorbed Power at 230 V (W)	160	Weight (Kg)	5
Absorbed Power max (W)	160	Delivery max (l/s)	125
Frequency (Hz)	50	Delivery max (m ³ /h)	450
Insulation Class	I ^o	Pressure max (mmH2O)	45
Max ambient temperature for continuous operation (°C)	50	Pressure max (Pa)	441
Max Temperature of Exhaust Air (Continuous Operation)	50	RPM	2800
Motor IP protection	55	Sound Pressure level Lp [dB (A)] 3m	59

DIMENSIONS



Dimensione Q (mm)	36
Dimensione R (mm)	71
Size A (mm)	281
Size B (mm)	234
Size C (mm)	206
Size D (mm)	108
Size E (mm)	100
Size F (mm)	7
Size G (mm)	56
Size H (mm)	83
Size L (mm)	88
Size M (mm)	∅ 108
Size N (mm)	99
Size P (mm)	79

PER INFORMAZIONI:

Servizio al Cliente: tel +39 02 90699395 premendo 1 dopo messaggio registrato (consulenza su prodotti e impianti)

Pre & Post Vendita: fax +39 02 90699302

Email prevendita: prevendita@vortice-italy.com

Technical Data Sheet

CODE 30902

C 15/2 M

Centrifugal fans



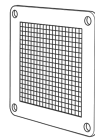
DESCRIPTION

- Frame and scroll: painted pressed steel, with multiple fixing holes configured to allow alignment of the motor in 8 different positions relative to the outlet port.
- Single phase AC motor with 1 operating speed and shaft turning in ball bearings.
- Centrifugal impeller with forward-curved blades of zinc-coated steel, dynamically balanced (UNI ISO 1940, Point 1 – Class 6.3).
- Maximum air flow: 450 m³/h.

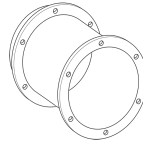
ACCESSORIES



C-GA 15
(GRIGLIA
PROT.ASPIRAZIONE)
Code 22802



C-GM 15
(GRIGLIA
PROT.MANDATA)
Code 22812



C-RA 15
(RACCORDO DI
ASPIRAZIONE)
Code 22826



IREM INVERTER
4 M
Code 12815

PER INFORMAZIONI:

Servizio al Cliente: tel +39 02 90699395 premendo 1 dopo messaggio registrato (consulenza su prodotti e impianti)

Pre & Post Vendita: fax +39 02 90699302

Email prevendita: prevendita@vortice-italy.com