

# Technical Data Sheet

CODE 40356

## E 254 T

Low-pressure plate axial fans



•æŠ-“ŋŕß-“Ûŕ

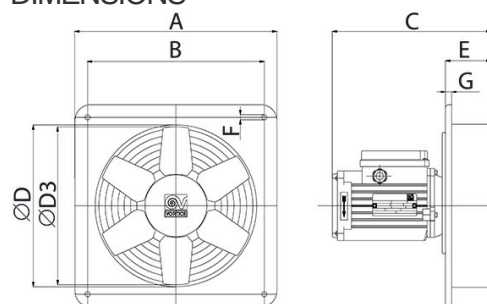
CE CE

EAC EAC

### TECHNICAL AND PERFORMANCE DATA

Absorbed Current at 220 V (A)	0,35	Motor IP protection	44
Absorbed Current at 240 V (A)	0,40	Nominal Diameter (mm)	250
Absorbed Current at 380 V (A)	0,20	Number of Poles	4
Absorbed Current at 415 V (A)	0,23	Voltage (V)	220/380 240/415
Absorbed Current max (A)	0,40	Weight (Kg)	3
Absorbed power at 220-380 V (W)	55	Delivery max (l/s)	277,8
Absorbed power at 240-415 V (W)	70	Delivery max (m³/h)	1000
Absorbed Power max (W)	70	Pressure max (mmH2O)	7,3
Frequency (Hz)	50	Pressure max (Pa)	71
Insulation Class	1°	RPM	1400
Max ambient temperature for continuous operation (°C)	55	Sound Pressure level Lp [dB (A)] 3m	53

### DIMENSIONS



Diametro Ø (mm)	250
Size A (mm)	320
Size B (mm)	280
Size C (mm)	201
Size D (mm)	Ø
	256
Size D3 (mm)	Ø
	250
Size E (mm)	68
Size F (mm)	8
Size G (mm)	10

#### PER INFORMAZIONI:

Servizio al Cliente: tel +39 02 90699395 premendo 1 dopo messaggio registrato (consulenza su prodotti e impianti)

Pre & Post Vendita: fax +39 02 90699302

Email prevendita: [prevendita@vortice-italy.com](mailto:prevendita@vortice-italy.com)

# Technical Data Sheet

CODE 40356

## E 254 T

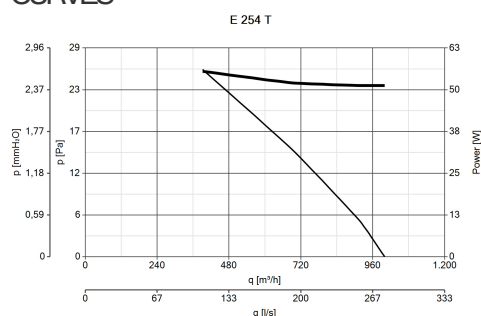
Low-pressure plate axial fans



### DESCRIPTION

- Nominal diameter 250 mm
- Wall-mounting panel manufactured from phosphated pressed steel, long-term resistance to atmospheric agents.
- Ventilation port fashioned in one piece with the panel and gauged to UNI ISO 13857 standard
- Protective grille (in accordance with UNI ISO 13857 standard) combining the function of motor bracket, made of electrically welded metal, maintenance and cleaning of the fan.
- 1 speed asynchronous three-phase AC motor with shaft turning in double shielded ball bearings, insulation class F.
- Dynamically balanced (UNI ISO 1940 - Balancing class 6.3), optimized to deliver maximum performance and low noise levels, and resistance to atmospheric agents.
- Vortice speed controller.

### CURVES



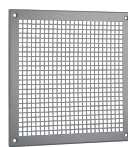
### ACCESSORIES



**IRT 15**  
Code 12923



**PGR 250**  
**(PERSIANA**  
**GRAVITA')**  
Code 50150



**TRA 250**  
**(TELAIO CON**  
**RETE ANTINF.)**  
Code 51150



**DPU 250**  
**(DISTRANZIATORE)**  
Code 52151

#### PER INFORMAZIONI:

Servizio al Cliente: tel +39 02 90699395 premendo 1 dopo messaggio registrato (consulenza su prodotti e impianti)  
Pre & Post Vendita: fax +39 02 90699302  
Email prevendita: prevendita@vortice-italy.com