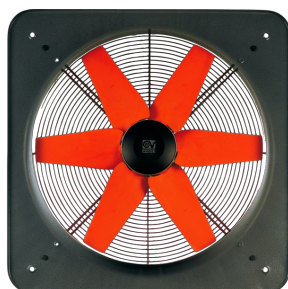


Technical Data Sheet

CODE 41459

E 604 M

Low-pressure plate axial fans



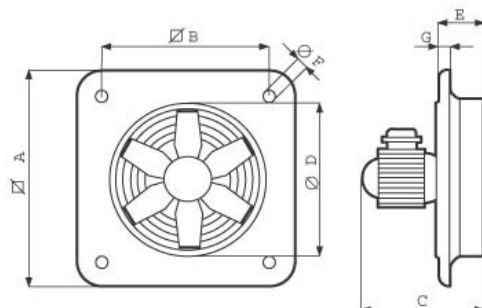
Certifications



TECHNICAL AND PERFORMANCE DATA

Absorbed Current at 220 V (A)	1,45	Motor IP protection	44
Absorbed Current at 240 V (A)	1,45	Nominal Diameter (mm)	630
Absorbed Current max (A)	1,45	Number of Poles	4
Absorbed Power at 220 V (W)	320	Voltage (V)	220-240
Absorbed Power at 240 V (W)	345	Weight (Kg)	10
Absorbed Power max (W)	345	Delivery max (l/s)	1944
Frequency (Hz)	50	Delivery max (m ³ /h)	7000
Insulation Class	I°	Pressure max (mmH2O)	8,2
Max ambient temperature for continuous operation (°C)	65	Pressure max (Pa)	80
Max Temperature of Exhaust Air (Continuous Operation)	65	RPM	1400

DIMENSIONS



Size A (mm)	760
Size B (mm)	630
Size C (mm)	283
Size D (mm)	Ø 610
Size E (mm)	100
Size F (mm)	Ø 12
Size G (mm)	15

PER INFORMAZIONI:

Servizio al Cliente: tel +39 02 90699395 premendo 1 dopo messaggio registrato (consulenza su prodotti e impianti)

Pre & Post Vendita: fax +39 02 90699302

Email prevendita: prevendita@vortice-italy.com

Technical Data Sheet

CODE 41459

E 604 M

Low-pressure plate axial fans



DESCRIPTION

- Nominal diameter 600 mm
- Wall-mounting panel manufactured from phosphated pressed steel, polyester powder coated with hammered effect finish, guaranteeing long-term resistance to atmospheric agents.
- Ventilation port fashioned in one piece with the panel and gauged to optimize air flow.
- Protective grille (in accordance with UNI ISO 13857 standard) combining the function of motor bracket, made of electrically welded steel with epoxy paint finish, colour black. Easy removal simplifies maintenance and cleaning of the fan.
- 1 speed asynchronous single phase AC motor with shaft turning in double shielded ball bearings, insulation class F.
- Maximum air flow: 7,000 m³/h.
- Impeller with 6 wing profile blades keyed to a diecast aluminium hub and dynamically balanced (UNI ISO 1940 – Balancing class 6.3), optimized to deliver maximum performance and low noise levels, moulded from filled polypropylene for superior dimensional stability and resistance to atmospheric agents.
- Vortice speed controller.

ACCESSORIES



IRM 30

Code 12921



IREM 3 CD

99250080

Code 12931



IREM 5 CD

99250081

Code 12932



IREM 9 CD

99250082

Code 12933

PER INFORMAZIONI:

Servizio al Cliente: tel +39 02 90699395 premendo 1 dopo messaggio registrato (consulenza su prodotti e impianti)

Pre & Post Vendita: fax +39 02 90699302

Email prevendita: prevendita@vortice-italy.com