

Technical Data Sheet

CODE 42216

A-E 304 M

Compact plate axial fans



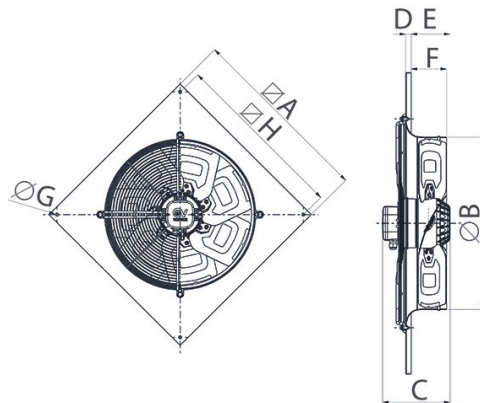
Certifications



TECHNICAL AND PERFORMANCE DATA

Absorbed Current max (A)	0,35	Voltage (V)	220-240
Absorbed Power max (W)	81	Weight (Kg)	3,0
Frequency (Hz)	50	Delivery max (l/s)	434
Insulation Class	I°	Delivery max (m³/h)	1563
IP	54	Pressure max - max speed (mmH2O)	13,0
Max ambient temperature for continuous operation (°C)	50	Pressure max (Pa)	130
Motor IP protection	54	RPM	1400
Nominal Diameter (mm)	300	Sound power level Lw [dB(A)]	63,5
Number of Phases (Ph)	1	Sound pressure level Lp in free field [dB(A)] 1 m	52,5
Number of Poles	4	Sound pressure level Lp in free field [dB(A)] 3 m	43,0

DIMENSIONS



Size A (mm)	380
Size B (mm)	316
Size C (mm)	151
Size D (mm)	10
Size F (mm)	84
Size G (mm)	8
Size H (mm)	330

PER INFORMAZIONI:

Servizio al Cliente: tel +39 02 90699395 premendo 1 dopo messaggio registrato (consulenza su prodotti e impianti)

Pre & Post Vendita: fax +39 02 90699302

Email prevendita: prevendita@vortice-italy.com

Technical Data Sheet

CODE 42216

A-E 304 M

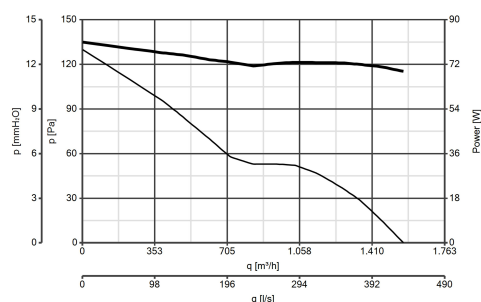
Compact plate axial fans



DESCRIPTION

- Nominal diameter 300 mm
- Panels made of pressed steel, phosphated and epoxy powder coated with hammered effect finish, guaranteeing long-term resistance to atmospheric agents.
- Ventilation port fashioned in one piece with the panel, gauged to optimize air flow, aerodynamically contoured and elongated to optimize performance and facilitate connection to the relative duct.
- Protective grille (in accordance with UNI ISO 13857 standard) combining the function of motor bracket, made of electrically welded steel with epoxy paint finish, colour black. Easy removal simplifies maintenance and cleaning of the fan.
- 1 speed single phase AC motor of external rotor type designed to minimize axial dimensions, with shaft turning in ball bearings, insulation class F, thermal overload protection.
- Maximum air flow 1563 m³/h
- Dynamically balanced impeller (UNI ISO 1940, Point 1 – Class 6.3); 5 pressed steel blades, electrolytically galvanized and polyester powder-coated, colour black.
- Vortice speed controller.

CURVES



ACCESSORIES



IREM 3 CD
99250080
Code 12931



C 1.5
(COMANDO EL.)
1.5 A)
Code 12966



DPU 300
(DISTANZIATORE)
Code 52251



PGR 300
(PERSIANA
GRAVITA')
Code 50250

PER INFORMAZIONI:

Servizio al Cliente: tel +39 02 90699395 premendo 1 dopo messaggio registrato (consulenza su prodotti e impianti)
Pre & Post Vendita: fax +39 02 90699302
Email prevendita: prevendita@vortice-italy.com