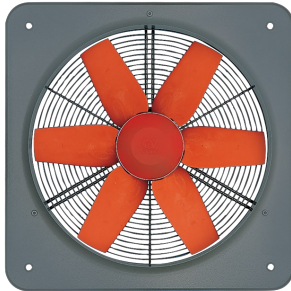


# Technical Data Sheet

CODE 42224

## MP 404 M

Medium-pressure plate axial fans



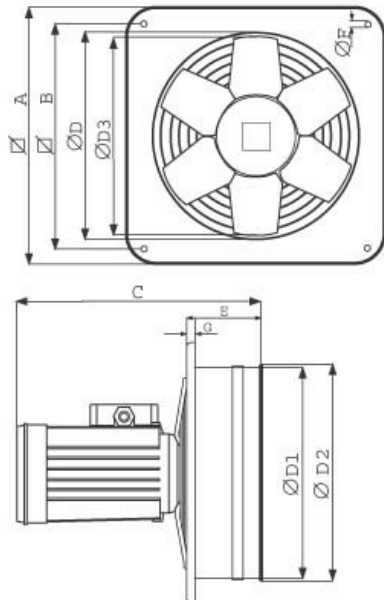
## Certifications



## TECHNICAL AND PERFORMANCE DATA

Absorbed Current at 220 V (A)	1,40	Nominal Diameter (mm)	400
Absorbed Current at 240 V (A)	1,45	Number of Poles	4
Absorbed Power at 220 V (W)	300	Voltage (V)	220-240
Absorbed Power at 240 V (W)	340	Weight (Kg)	11,2
Absorbed Power max (W)	340	Delivery max (l/s)	1194,4
Frequency (Hz)	50	Delivery max (m <sup>3</sup> /h)	4300
Insulation Class	I°	Pressure max (mmH2O)	13,7
IP	55	Pressure max (Pa)	134
Max Absorbed Current of fan (A)	1,45	RPM	1400
Max ambient temperature for continuous operation (°C)	70	Sound Pressure level Lp [dB (A)] 3m	66

## DIMENSIONS



Size A (mm)	510
Size B (mm)	430
Size C (mm)	308
Size D (mm)	∅
	410
Size D1 (mm)	∅
	412,5
Size D2 (mm)	∅
	418
Size D3 (mm)	∅
	400
Size E (mm)	114
Size F (mm)	∅ 12
Size G (mm)	15

### PER INFORMAZIONI:

Servizio al Cliente: tel +39 02 90699395 premendo 1 dopo messaggio registrato (consulenza su prodotti e impianti)

Pre & Post Vendita: fax +39 02 90699302

Email prevendita: [prevendita@vortice-italy.com](mailto:prevendita@vortice-italy.com)

# Technical Data Sheet

CODE 42224

## MP 404 M

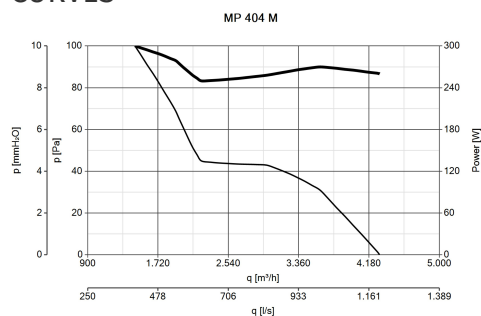
Medium-pressure plate axial fans



### DESCRIPTION

- Nominal diameter 400 mm
- Wall-mounting panel manufactured from phosphated pressed steel, polyester powder coated with hammered effect finish, guaranteeing long-term resistance to atmospheric agents.
- Ventilation port fashioned in one piece with the panel and gauged to optimize air flow.
- Protective grille (in accordance with UNI ISO 13857 standard) combining the function of motor bracket, made of electrically welded steel with epoxy paint finish, colour black. Easy removal simplifies maintenance and cleaning of the fan.
- 1 speed asynchronous single phase AC motor with shaft turning in double shielded ball bearings, insulation class F.
- Maximum air flow 4,300 m<sup>3</sup>/h
- Impeller with 6 wing profile blades keyed to a diecast aluminium hub and dynamically balanced (UNI ISO 1940 – Balancing class 6.3), optimized to deliver maximum performance and low noise levels, moulded from filled polypropylene for superior dimensional stability and resistance to atmospheric agents.
- Vortice speed controllers.

### CURVES



### ACCESSORIES



IREM 3 CD  
99250080  
Code 12931



IREM 5 CD  
99250081  
Code 12932



IREM 9 CD  
99250082  
Code 12933



PGR 400  
(PERSIANA  
GRAVITA')  
Code 50450

#### PER INFORMAZIONI:

Servizio al Cliente: tel +39 02 90699395 premendo 1 dopo messaggio registrato (consulenza su prodotti e impianti)  
Pre & Post Vendita: fax +39 02 90699302  
Email prevendita: [prevendita@vortice-italy.com](mailto:prevendita@vortice-italy.com)