

Technical Data Sheet

CODE 42258

A-E 354 M

Compact plate axial fans



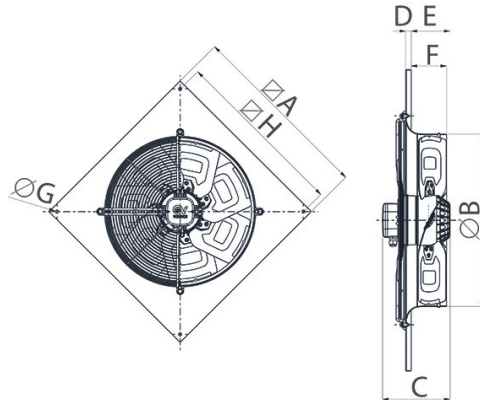
Certifications



TECHNICAL AND PERFORMANCE DATA

Absorbed Current max (A)	0.75	Voltage (V)	220-240
Absorbed Power max (W)	170	Weight (Kg)	6.2
Frequency (Hz)	50	Delivery max (l/s)	822
Insulation Class	I°	Delivery max (m³/h)	2960
IP	54	Pressure max - max speed (mmH20)	10.2
Max ambient temperature for continuous operation (°C)	50	Pressure max (Pa)	100
Motor IP protection	54	RPM	1400
Nominal Diameter (mm)	350	Sound power level Lw [dB(A)]	70.0
Number of Phases (Ph)	1	Sound pressure level Lp in free field [dB(A)] 1 m	59.0
Number of Poles	4	Sound pressure level Lp in free field [dB(A)] 3 m	49.5

DIMENSIONS



Size A (mm)	450
Size B (mm)	361
Size C (mm)	155
Size D (mm)	12
Size E (mm)	85
Size F (mm)	74
Size G (mm)	9
Size H (mm)	380

PER INFORMAZIONI:

Servizio al Cliente: tel +39 02 90699395 premendo 1 dopo messaggio registrato (consulenza su prodotti e impianti)

Pre & Post Vendita: fax +39 02 90699302

Email prevendita: prevendita@vortice-italy.com

Technical Data Sheet

CODE 42258

A-E 354 M

Compact plate axial fans

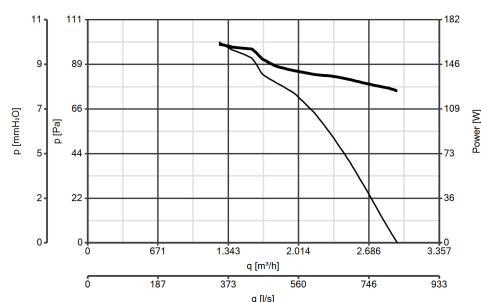


DESCRIPTION

- Nominal diameter 350 mm
- Panels made of pressed steel, phosphated and epoxy powder coated with hammered effect finish, guaranteeing long-term resistance to atmospheric agents.
- Ventilation port fashioned in one piece with the panel, gauged to optimize air flow, aerodynamically contoured and elongated to optimize performance and facilitate connection to the relative duct.
- Protective grille (in accordance with UNI ISO 13857 standard) combining the function of motor bracket, made of electrically welded steel with epoxy paint finish, colour black. Easy removal simplifies

- maintenance and cleaning of the fan.
- 1 speed single phase AC motor of external rotor type designed to minimize axial dimensions, with shaft turning in ball bearings, insulation class F, thermal overload protection.
- Maximum air flow 3015 m³/h
- Dynamically balanced impeller (UNI ISO 1940, Point 1 – Class 6.3); 5 pressed steel blades, electrolytically galvanized and polyester powder-coated, colour black.
- Vortice speed controller.

CURVES



ACCESSORIES



C 1.5
(COMANDO EL.
1.5 A)
Code 12966



IREM 3 CD
99250080
Code 12931



DPU 350
(DISTANZIATORE)
Code 52351



PGR 350
(PERSIANA
GRAVITA')
Code 50350

PER INFORMAZIONI:

Servizio al Cliente: tel +39 02 90699395 premendo 1 dopo messaggio registrato (consulenza su prodotti e impianti)
Pre & Post Vendita: fax +39 02 90699302
Email prevendita: prevendita@vortice-italy.com