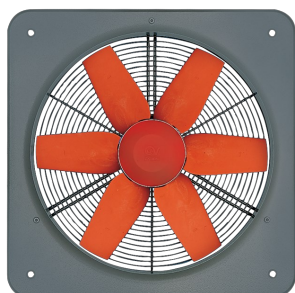


Technical Data Sheet

CODE 42302

MP 302 T

Medium-pressure plate axial fans



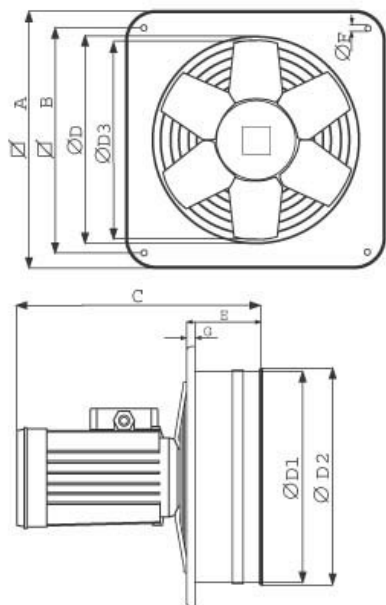
Certifications



TECHNICAL AND PERFORMANCE DATA

Absorbed Current at 220 V (A)	2,10	Max ambient temperature for continuous operation (°C)	70
Absorbed Current at 240 V (A)	2,25	Nominal Diameter (mm)	315
Absorbed Current at 380 V (A)	1,20	Number of Poles	2
Absorbed Current at 415 V (A)	1,30	Voltage (V)	220/380 240/415
Absorbed Current max (A)	2,25	Weight (Kg)	9,4
Absorbed power at 220-380 V (W)	540	Delivery max (l/s)	972
Absorbed power at 240-415 V (W)	560	Delivery max (m³/h)	3500
Absorbed Power max (W)	560	Pressure max (mmH2O)	65
Frequency (Hz)	50	Pressure max (Pa)	638
Insulation Class	1°	RPM	2800
IP	55	Sound Pressure level Lp [dB (A)] 3m	75

DIMENSIONS



Size A (mm)	380
Size B (mm)	330
Size C (mm)	308
Size D (mm)	∅
	308
Size D1 (mm)	∅
	310,5
Size D2 (mm)	∅ 316
Size D3 (mm)	∅
	300
Size E (mm)	94
Size F (mm)	∅ 8
Size G (mm)	10

PER INFORMAZIONI:

Servizio al Cliente: tel +39 02 90699395 premendo 1 dopo messaggio registrato (consulenza su prodotti e impianti)

Pre & Post Vendita: fax +39 02 90699302

Email prevendita: prevendita@vortice-italy.com

Technical Data Sheet

CODE 42302

MP 302 T

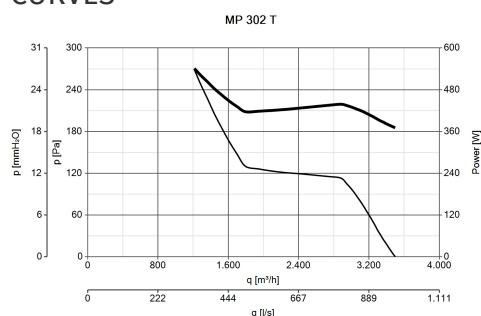
Medium-pressure plate axial fans



DESCRIPTION

- Nominal diameter 300 mm
- Wall-mounting panel manufactured from phosphated pressed steel, polyester powder coated with hammered effect finish, guaranteeing long-term resistance to atmospheric agents.
- Ventilation port fashioned in one piece with the panel and gauged to optimize air flow.
- Protective grille (in accordance with UNI ISO 13857 standard) combining the function of motor bracket, made of electrically welded steel with epoxy paint finish, colour black. Easy removal simplifies maintenance and cleaning of the fan.
- 1 speed asynchronous three-phase AC motor with shaft turning in double shielded ball bearings, insulation class F.
- Maximum air flow 3,500 m³/h
- Impeller with 6 wing profile blades keyed to a diecast aluminium hub and dynamically balanced (UNI ISO 1940 – Balancing class 6.3), optimized to deliver maximum performance and low noise levels, moulded from filled polypropylene for superior dimensional stability and resistance to atmospheric agents.
- Vortice speed controllers.

CURVES



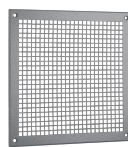
ACCESSORIES



IRT 35
Code 12924



PGR 300
(PERSIANA
GRAVITA')
Code 50250



TRA 300
(TELAIO CON
RETE ANTIF.)
Code 51250



DPU 300
(DISTANZIATORE)
Code 52251

PER INFORMAZIONI:

Servizio al Cliente: tel +39 02 90699395 premendo 1 dopo messaggio registrato (consulenza su prodotti e impianti)

Pre & Post Vendita: fax +39 02 90699302

Email prevendita: prevendita@vortice-italy.com