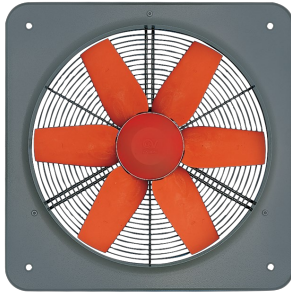


# Technical Data Sheet

CODE 42304

## MP 304 T

Medium-pressure plate axial fans



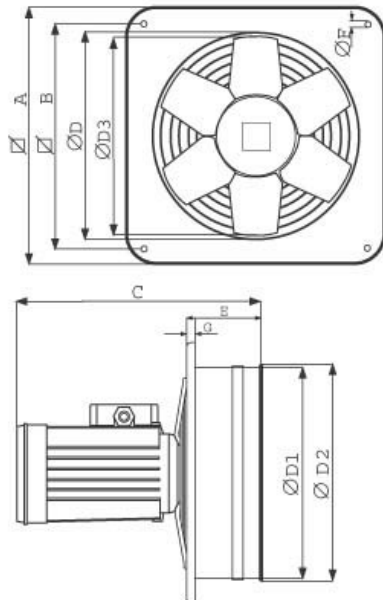
## Certifications



## TECHNICAL AND PERFORMANCE DATA

Absorbed Current at 220 V (A)	0,24	Max ambient temperature for continuous operation (°C)	70
Absorbed Current at 240 V (A)	0,41	Max. absorbed power at max speed (W)	110
Absorbed Current at 380 V (A)	0,24	Nominal Diameter (mm)	315
Absorbed Current at 415 V (A)	0,41	Number of Poles	4
Absorbed Current max (A)	0,41	Voltage (V)	220/380 240/415
Absorbed power at 220-380 V (W)	110	Weight (Kg)	6,9
Absorbed power at 240-415 V (W)	110	Delivery max (l/s)	566,7
Absorbed Power max (W)	110	Delivery max (m³/h)	2040
Frequency (Hz)	50	Pressure max (mmH2O)	15
Inlet	Automatico	Pressure max (Pa)	147
Insulation Class	I°	RPM	1400
IP	55	Sound power level Lw [dB(A)]	59
		Sound Pressure level Lp [dB (A)] 3m	59

## DIMENSIONS



Size A (mm)	380
Size B (mm)	330
Size C (mm)	279
Size D (mm)	308
Size D1 (mm)	Ø
	310,5
Size D2 (mm)	Ø 316
Size D3 (mm)	Ø
	300
Size E (mm)	94
Size F (mm)	Ø 8
Size G (mm)	10

### PER INFORMAZIONI:

Servizio al Cliente: tel +39 02 90699395 premendo 1 dopo messaggio registrato (consulenza su prodotti e impianti)

Pre & Post Vendita: fax +39 02 90699302

Email prevendita: [prevendita@vortice-italy.com](mailto:prevendita@vortice-italy.com)

# Technical Data Sheet

CODE 42304

## MP 304 T

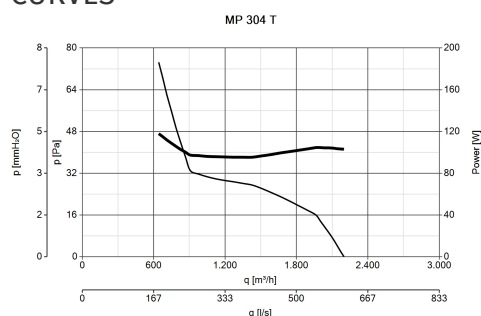
Medium-pressure plate axial fans



### DESCRIPTION

- Nominal diameter 300 mm
- Wall-mounting panel manufactured from phosphated pressed steel, polyester powder coated with hammered effect finish, guaranteeing long-term resistance to atmospheric agents.
- Ventilation port fashioned in one piece with the panel and gauged to optimize air flow.
- Protective grille (in accordance with UNI ISO 13857 standard) combining the function of motor bracket, made of electrically welded steel with epoxy paint finish, colour black. Easy removal simplifies maintenance and cleaning of the fan.
- 1 speed asynchronous three-phase AC motor with shaft turning in double shielded ball bearings, insulation class F.
- Maximum air flow 2,200 m<sup>3</sup>/h
- Impeller with 6 wing profile blades keyed to a diecast aluminium hub and dynamically balanced (UNI ISO 1940 – Balancing class 6.3), optimized to deliver maximum performance and low noise levels, moulded from filled polypropylene for superior dimensional stability and resistance to atmospheric agents.
- Vortice speed controllers.

### CURVES



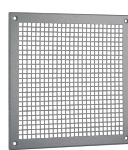
### ACCESSORIES



**IRT 15**  
Code 12923



**PGR 300**  
**(PERSIANA**  
**GRAVITA')**  
Code 50250



**TRA 300**  
**(TELAIO CON**  
**RETE ANTIF.)**  
Code 51250



**DPU 300**  
**(Distanziatore)**  
Code 52251

#### PER INFORMAZIONI:

Servizio al Cliente: tel +39 02 90699395 premendo 1 dopo messaggio registrato (consulenza su prodotti e impianti)  
Pre & Post Vendita: fax +39 02 90699302  
Email prevendita: [prevendita@vortice-italy.com](mailto:prevendita@vortice-italy.com)