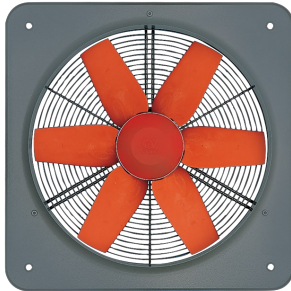


# Technical Data Sheet

CODE 42324

## MP 404 T

Medium-pressure plate axial fans



## Certifications

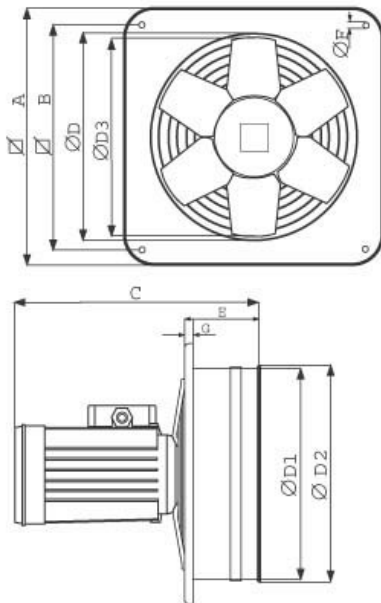


EAC

## TECHNICAL AND PERFORMANCE DATA

Absorbed Current at 220 V (A)	0,98	Max ambient temperature for continuous operation (°C)	70
Absorbed Current at 240 V (A)	1,00	Max. absorbed power at max speed (W)	330
Absorbed Current at 380 V (A)	0,57	Nominal Diameter (mm)	400
Absorbed Current at 415 V (A)	0,59	Number of Poles	4
Absorbed Current max (A)	1,00	Voltage (V)	220/380 240/415
Absorbed power at 220-380 V (W)	295	Weight (Kg)	11,2
Absorbed power at 240-415 V (W)	330	Delivery max (l/s)	1208
Absorbed Power max (W)	330	Delivery max (m³/h)	4350
Frequency (Hz)	50	Pressure max (mmH2O)	18
Insulation Class	1°	Pressure max (Pa)	177
IP	55	RPM	1400
		Sound Pressure level Lp [dB (A)] 3m	66

## DIMENSIONS



Size A (mm)	510
Size B (mm)	430
Size C (mm)	308
Size D (mm)	Ø
	410
Size D1 (mm)	Ø
	412,5
Size D2 (mm)	Ø
	418
Size D3 (mm)	Ø
	400
Size E (mm)	114
Size F (mm)	Ø 12
Size G (mm)	15

### PER INFORMAZIONI:

Servizio al Cliente: tel +39 02 90699395 premendo 1 dopo messaggio registrato (consulenza su prodotti e impianti)

Pre & Post Vendita: fax +39 02 90699302

Email prevendita: [prevendita@vortice-italy.com](mailto:prevendita@vortice-italy.com)

# Technical Data Sheet

CODE 42324

## MP 404 T

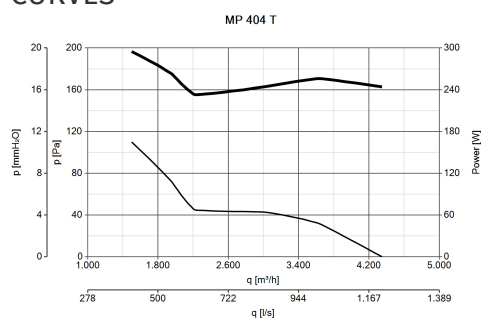
Medium-pressure plate axial fans



### DESCRIPTION

- Nominal diameter 400 mm
- Wall-mounting panel manufactured from phosphated pressed steel, polyester powder coated with hammered effect finish, guaranteeing long-term resistance to atmospheric agents.
- Ventilation port fashioned in one piece with the panel and gauged to optimize air flow.
- Protective grille (in accordance with UNI ISO 13857 standard) combining the function of motor bracket, made of electrically welded steel with epoxy paint finish, colour black. Easy removal simplifies maintenance and cleaning of the fan.
- 1 speed asynchronous three-phase AC motor with shaft turning in double shielded ball bearings, insulation class F.
- Maximum air flow 4,350 m<sup>3</sup>/h
- Impeller with 6 wing profile blades keyed to a diecast aluminium hub and dynamically balanced (UNI ISO 1940 – Balancing class 6.3), optimized to deliver maximum performance and low noise levels, moulded from filled polypropylene for superior dimensional stability and resistance to atmospheric agents.
- Vortice speed controllers.

### CURVES



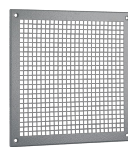
### ACCESSORIES



IRT 15  
Code 12923



PGR 400  
(PERSIANA  
GRAVITA')  
Code 50450



TRA 400  
(TELAIO CON  
RETE ANTIF.)  
Code 51450



DPU 400  
(Distanziatore)  
Code 52451

#### PER INFORMAZIONI:

Servizio al Cliente: tel +39 02 90699395 premendo 1 dopo messaggio registrato (consulenza su prodotti e impianti)

Pre & Post Vendita: fax +39 02 90699302

Email prevendita: [prevendita@vortice-italy.com](mailto:prevendita@vortice-italy.com)