

Technical Data Sheet

CODE 42356

A-E 566 M

Compact plate axial fans



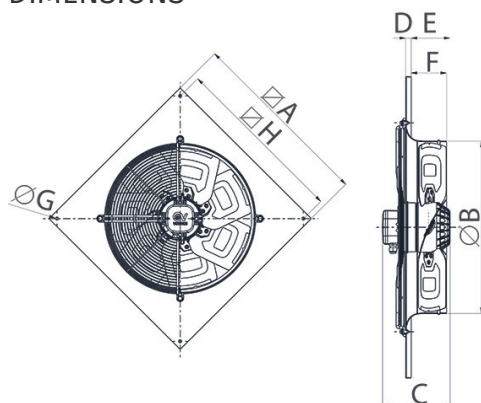
Certifications



TECHNICAL AND PERFORMANCE DATA

Absorbed Current max (A)	1.60	Voltage (V)	220-240
Absorbed Power max (W)	350	Weight (Kg)	24.2
Frequency (Hz)	50	Delivery max (l/s)	1865
Insulation Class	I°	Delivery max (m³/h)	6715
IP	54	Pressure max - max speed (mmH20)	13.7
Max ambient temperature for continuous operation (°C)	50	Pressure max (Pa)	134
Motor IP protection	54	RPM	1000
Nominal Diameter (mm)	566	Sound power level Lw [dB(A)]	77.7
Number of Phases (Ph)	1	Sound pressure level Lp in free field [dB(A)] 1 m	66.7
Number of Poles	6	Sound pressure level Lp in free field [dB(A)] 3 m	57.2

DIMENSIONS



Size A (mm)	725
Size B (mm)	563
Size C (mm)	248
Size D (mm)	16
Size E (mm)	161
Size F (mm)	105
Size G (mm)	11
Size H (mm)	675

PER INFORMAZIONI:

Servizio al Cliente: tel +39 02 90699395 premendo 1 dopo messaggio registrato (consulenza su prodotti e impianti)

Pre & Post Vendita: fax +39 02 90699302

Email prevendita: prevendita@vortice-italy.com

Technical Data Sheet

CODE 42356

A-E 566 M

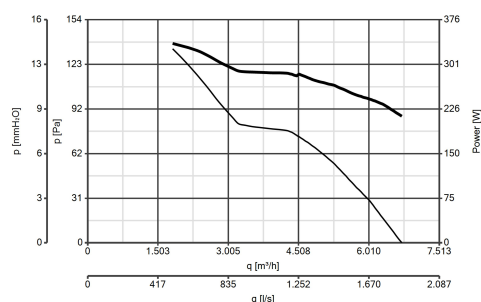
Compact plate axial fans



DESCRIPTION

- Nominal diameter 560 mm
- Panels made of pressed steel, phosphated and epoxy powder coated with hammered effect finish, guaranteeing long-term resistance to atmospheric agents.
- Ventilation port fashioned in one piece with the panel, gauged to optimize air flow, aerodynamically contoured and elongated to optimize performance and facilitate connection to the relative duct.
- Protective grille (in accordance with UNI ISO 13857 standard) combining the function of motor bracket, made of electrically welded steel with epoxy paint finish, colour black. Easy removal simplifies maintenance and cleaning of the fan.
- 1 speed single phase AC motor of external rotor type designed to minimize axial dimensions, with shaft turning in ball bearings, insulation class F, thermal overload protection.
- Maximum air flow 6500 m³/h
- Dynamically balanced impeller (UNI ISO 1940, Point 1 – Class 6.3); 5 pressed steel blades, electrolytically galvanized and polyester powder-coated, colour black.
- Vortice speed controller.

CURVES



ACCESSORIES



IREM 3 CD
99250080
Code 12931



IREM INVERTER
4 M
Code 12815



IRM 30
Code 12921

PER INFORMAZIONI:

Servizio al Cliente: tel +39 02 90699395 premendo 1 dopo messaggio registrato (consulenza su prodotti e impianti)
Pre & Post Vendita: fax +39 02 90699302
Email prevendita: prevendita@vortice-italy.com