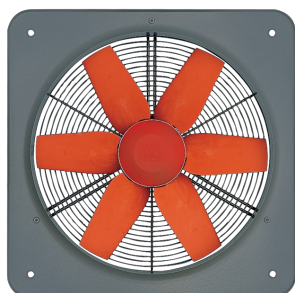


Technical Data Sheet

CODE 42364

MP 606 T

Medium-pressure plate axial fans



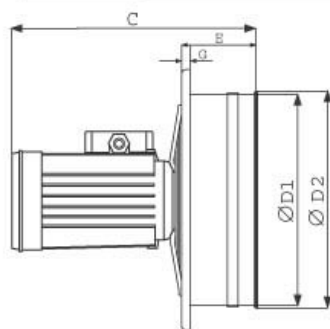
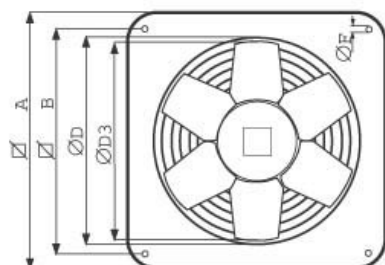
CE



TECHNICAL AND PERFORMANCE DATA

Absorbed Current at 220 V (A)	3,20	Max ambient temperature for continuous operation (°C)	70
Absorbed Current at 240 V (A)	3,20	Max. absorbed power at max speed (W)	760
Absorbed Current at 380 V (A)	1,90	Nominal Diameter (mm)	630
Absorbed Current at 415 V (A)	1,90	Number of Poles	6
Absorbed Current max (A)	3,20	Voltage (V)	220/380 240/415
Absorbed power at 220-380 V (W)	730	Weight (Kg)	28,2
Absorbed power at 240-415 V (W)	760	Delivery max (l/s)	2778
Absorbed Power max (W)	760	Delivery max (m³/h)	10000
Frequency (Hz)	50	Pressure max (mmH2O)	18
Inlet	Automatico	Pressure max (Pa)	177
Insulation Class	I°	RPM	1000
IP	55	Sound Pressure level Lp [dB (A)] 3m	68,5

DIMENSIONS



Size A (mm)	760
Size B (mm)	630
Size C (mm)	430
Size D (mm)	Ø 610
Size D1 (mm)	Ø 612,5
Size D2 (mm)	Ø 618
Size D3 (mm)	Ø 600
Size E (mm)	124
Size F (mm)	Ø 12
Size G (mm)	15

PER INFORMAZIONI:

Servizio al Cliente: tel +39 02 90699395 premando 1 dopo messaggio registrato (consulenza su prodotti e impianti)

Pre & Post Vendita: fax +39 02 90699302

Email prevendita: prevendita@vortice-italy.com

Technical Data Sheet

CODE 42364

MP 606 T

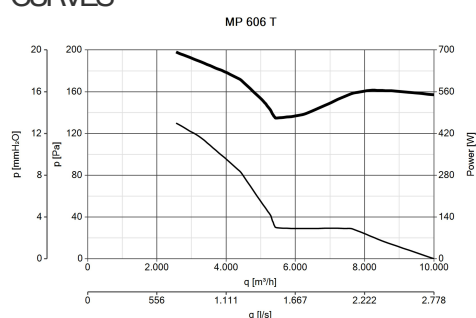
Medium-pressure plate axial fans



DESCRIPTION

- Nominal diameter 600 mm
- Wall-mounting panel manufactured from phosphated pressed steel, long-term resistance to atmospheric agents.
- Ventilation port fashioned in one piece with the panel and gauged to UNI ISO 13857 standard
- Protective grille (in accordance with UNI ISO 13857 standard) combining the function of motor bracket, made of electrically welded steel, maintenance and cleaning of the fan.
- 1 speed asynchronous three-phase AC motor with shaft turning in double shielded ball bearings, insulation class F.
- Dynamically balanced (UNI ISO 1940 - Balancing class 6.3), optimized to deliver maximum performance and low noise levels, and resistance to atmospheric agents.
- Vortice speed controllers.

CURVES



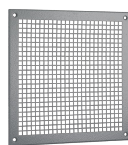
ACCESSORIES



IRT 35
Code 12924



PGR 600
(PERSIANA
GRAVITA')
Code 50650



TRA 600
(TELAIO CON
RETE ANTINF.)
Code 51650



IRET INVERTER
5 M
Code 12817

PER INFORMAZIONI:

Servizio al Cliente: tel +39 02 90699395 premendo 1 dopo messaggio registrato (consulenza su prodotti e impianti)
Pre & Post Vendita: fax +39 02 90699302
Email prevendita: prevendita@vortice-italy.com