

# Technical Data Sheet

CODE 45269

## VORT QBK-SAL KC T 355

Cabinet fans designed to extract hot, humid and dirty air



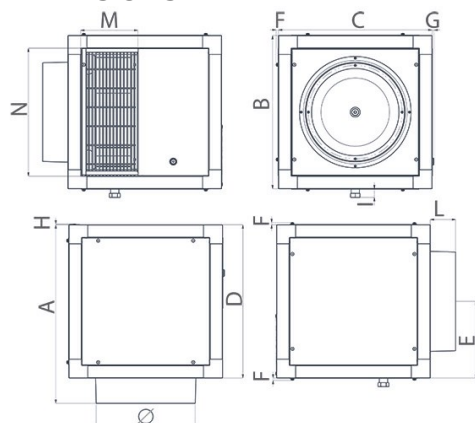
CE



### TECHNICAL AND PERFORMANCE DATA

Absorbed Current at 380 V (A)	1,47	Nominal Diameter (mm)	355
Absorbed Current at 415 V (A)	1,53	Number of Poles	4
Absorbed Power at 380 V (W)	790	Voltage (V)	380-415
Absorbed Power at 415 V (W)	805	Weight (Kg)	50
Frequency (Hz)	50	Delivery max (l/s)	1227
Insulation Class	I°	Delivery max (m³/h)	4420
IP	55	Pressure max (mmH2O)	50
Max ambient temperature for continuous operation (°C)	70	Pressure max (Pa)	490
Max Temperature of Exhaust Air (Continuous Operation)	120	RPM	1410
Motor Class	F	Sound power level Lw [dB(A)]	79,6
Motor IP protection	55	Sound Pressure level Lp [dB (A)] 3m	59,1

### DIMENSIONS



Size A (mm)	671
Size B (mm)	590
Size C (mm)	590
Size D (mm)	590
Size E (mm)	295
Size F (mm)	8
Size G (mm)	6
Size H (mm)	3
Size I (mm)	28
Size L (mm)	82
Size M (mm)	280
Size N (mm)	510
Size O (mm)	Ø 353

#### PER INFORMAZIONI:

Servizio al Cliente: tel +39 02 90699395 premendo 1 dopo messaggio registrato (consulenza su prodotti e impianti)

Pre & Post Vendita: fax +39 02 90699302

Email prevendita: [prevendita@vortice-italy.com](mailto:prevendita@vortice-italy.com)

