

Technical Data Sheet

CODE 45277

VORT QBK-SAL KC T 400

Cabinet fans designed to extract hot, humid and dirty air



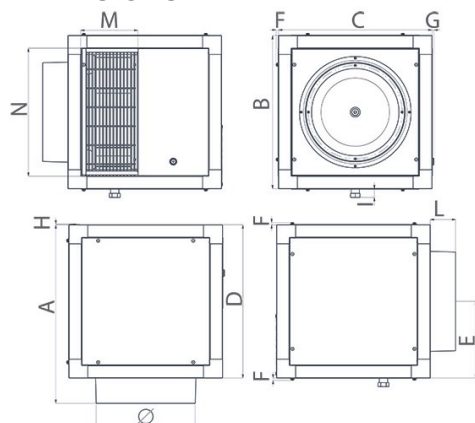
Certifications



TECHNICAL AND PERFORMANCE DATA

Absorbed Current at 380 V (A)	2,24	Nominal Diameter (mm)	400
Absorbed Current at 415 V (A)	2,22	Number of Poles	4
Absorbed Power at 380 V (W)	1225	Voltage (V)	380-415
Absorbed Power at 415 V (W)	1295	Weight (Kg)	68
Frequency (Hz)	50	Delivery max (l/s)	1805
Insulation Class	I°	Delivery max (m ³ /h)	6500
IP	55	Pressure max (mmH2O)	63.7
Max ambient temperature for continuous operation (°C)	70	Pressure max (Pa)	625
Max Temperature of Exhaust Air (Continuous Operation)	120	RPM	1390
Motor Class	F	Sound power level Lw [dB(A)]	82,9
Motor IP protection	55	Sound Pressure level Lp [dB (A)] 3m	62,4

DIMENSIONS



Size A (mm)	731
Size B (mm)	650
Size C (mm)	650
Size D (mm)	650
Size E (mm)	325
Size F (mm)	8
Size G (mm)	6
Size H (mm)	3
Size I (mm)	28
Size L (mm)	82
Size M (mm)	290
Size N (mm)	570
Size O (mm)	∅ 398

PER INFORMAZIONI:

Servizio al Cliente: tel +39 02 90699395 premendo 1 dopo messaggio registrato (consulenza su prodotti e impianti)

Pre & Post Vendita: fax +39 02 90699302

Email prevendita: prevendita@vortice-italy.com

Technical Data Sheet

CODE 45277

VORT QBK-SAL KC T 400

Cabinet fans designed to extract hot, humid and dirty air



DESCRIPTION

- Cabinet: frames made of aluminium profiles; sandwich panels made of zinc-coated, 0,6 mm thick steel plates, lined with 23 mm thick rockwool.
- Circular part of inlet.
- Rectangular outlet. A specific optional adapter allows connection to circular pipes.
- Nominal diameter 400 mm.
- Three-phase ball bearings AC motor, located outside the airflow and separated from the impeller by a metal panel.
- Backward curved centrifugal impeller, dynamically balanced (ISO 1940, 6.3 class).
- Motor protection guard made of galvanised steel.
- Inspection panel with handle and triangular key.
- Condensate tray made of galvanised steel with drain point and blank nut for draining.
- Temperature of extracted air up to 120°C.
- Maximum environment air temperature: 70 ° C (if controlled by IRT5 5 controller code 12855, the maximum temperature drops to 55 ° C).
- Speed adjustable through Vortice's speed controllers.

ACCESSORIES



**TETTO
PARAPIOGGIA
400**
Code 24194



**RACCORDO
RETTANGOLARE
TONDO 400**
Code 24186



**TETTO
PROTEZIONE
SCARICO 400**
Code 24198



**ANTIVIBRANTI
400/500/560**
Code 24190

PER INFORMAZIONI:

Servizio al Cliente: tel +39 02 90699395 premendo 1 dopo messaggio registrato (consulenza su prodotti e impianti)

Pre & Post Vendita: fax +39 02 90699302

Email prevendita: prevendita@vortice-italy.com