

Technical Data Sheet

CODE 45382

VORT NRG 1500 EC

Heat recovery units equipped with static heat exchangers



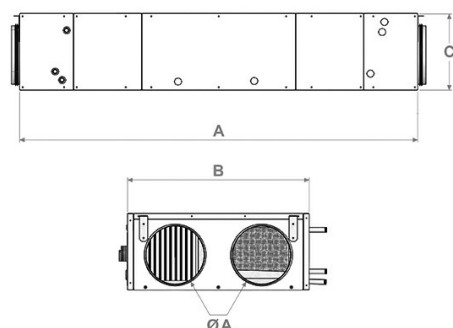
Certifications



TECHNICAL AND PERFORMANCE DATA

| | | | |
|---|-------|---|------|
| Filter class for extract air | G4 | Nominal Diameter (mm) | 355 |
| Filter class for supply air | F7 | Number of Phases (Ph) | 1 |
| Frequency (Hz) | 50 | Protection current | 8,6 |
| Max ambient temperature for continuous operation (°C) | 40 | Voltage (V) | 230 |
| Motor Class | F | Weight (Kg) | 255 |
| Motor IP protection | 44 | Delivery max (m ³ /h) | 1550 |
| Motor Power (W) | 400X2 | Sound power level - radiated Lw [dB(A)] | 65 |

DIMENSIONS



| | |
|-------------------------|------|
| Size A (mm) | 2195 |
| Size B (mm) | 1220 |
| Size C (mm) | 415 |
| Size D (mm) | 215 |
| Size E (mm) | 600 |
| Size F1 (mm) | 885 |
| Size F2 (mm) | 695 |
| Size F3 (mm) | 615 |
| Size G (mm) | 430 |
| Size G1 (mm) | 50 |
| Size G2 (mm) | 145 |
| Size J (mm) | 280 |
| Size K (mm) | 845 |
| Size M (mm) | 950 |
| Size M1 (mm) | 1075 |
| Size M2 (mm) | 560 |
| Size M3 (mm) | 560 |
| Size T (mm) | 1/2" |
| Size T1 (mm) | 1/2" |
| Vents diameter Ø A (mm) | 355 |

PER INFORMAZIONI:

Servizio al Cliente: tel +39 02 90699395 premendo 1 dopo messaggio registrato (consulenza su prodotti e impianti)

Pre & Post Vendita: fax +39 02 90699302

Email prevendita: prevendita@vortice-italy.com

Technical Data Sheet

CODE 45382

VORT NRG 1500 EC

Heat recovery units equipped with static heat exchangers



DESCRIPTION

- Frames consisting of rounded aluminium profiles with built-in, polyamide made, spacers for class TB2 thermal break; corners made of reinforced polyamide; double skin (sandwich), 10/10 panels (inner side with galvanized steel sheet, outer side with pre-laquered metal sheet (RAL 7035) with protective film); insulation through 25 mm high density (M0) mineral wool.
- 2 EC motors, independently adjustable, external rotor type, integrating safety thermal cut-outs, with backward curved impellers directly driven by ball bearings; 2 speeds adjustable during the installation.
- Air-to-air, counter cross-flow, aluminium made heat exchanger whose high performance, certified by Eurovent, exceeds 90% according to EN 308 standard.
- Circular branch connections with lip seals to grant the system air tightness.
- 100% inner automatic by-pass.
- 2 filters, respectively G4 on extracted air (stale) and F7 on (fresh) air supply, both mounted upstream of inner components, on runners fitted with lip seals to ensure effective air tightness.
- Access to filters and inner components by security latch on removable panels.
- Brackets crimped into the structure for fixing to the ground or ceiling/false ceiling.
- Inner slanted tray to assure the proper condensate removal at product horizontally installed.
- A dedicated pressure switch constantly controls the airflow across each fan, which indicates the presence of a fault on any external device which can be connected on the clean contact on board of the machine.
- A podlockable local circuit breaker, mounted on front panel, allows to stop the unit in case of fault.
- Potentiometers to independently adjust each fan speed.

ACCESSORIES



POTI NRG

Code 21039

PER INFORMAZIONI:

Servizio al Cliente: tel +39 02 90699395 premendo 1 dopo messaggio registrato (consulenza su prodotti e impianti)

Pre & Post Vendita: fax +39 02 90699302

Email prevendita: prevendita@vortice-italy.com