

Technical Data Sheet

CODE 45390

VORT NRG 600 EC EH

Heat recovery units equipped with static heat exchangers



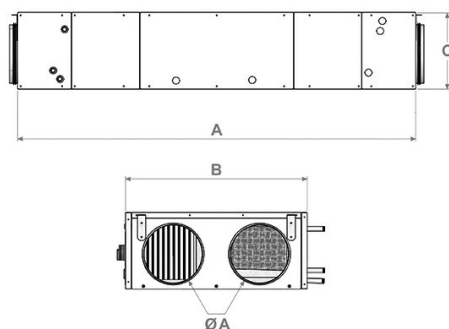
Certifications



TECHNICAL AND PERFORMANCE DATA

Filter class for extract air	G4	Nominal Diameter (mm)	250
Filter class for supply air	F7	Number of Phases (Ph)	1
Frequency (Hz)	50	Power pre-heater	1,25
Max ambient temperature for continuous operation (°C)	60	Protection current	8,2
Min ambient temperature for continuous operation (°C)	-20	Voltage (V)	230
Motor Class	B	Weight (Kg)	127
Motor IP protection	54	Delivery max (m³/h)	650
Motor Power (W)	169X2	Sound power level - radiated Lw [dB(A)]	57

DIMENSIONS



Size A (mm)	1700
Size B (mm)	780
Size C (mm)	330
Size D (mm)	150
Size E (mm)	370
Size F1 (mm)	795
Size F2 (mm)	486
Size F3 (mm)	422
Size G (mm)	150
Size G1 (mm)	50
Size G2 (mm)	145
Size J (mm)	180
Size K (mm)	645
Size M (mm)	640
Size M1 (mm)	259
Size M2 (mm)	1168
Size M3 (mm)	273
Size T (mm)	1/2"
Size T1 (mm)	1/2"
Vents diameter Ø A (mm)	250

PER INFORMAZIONI:

Servizio al Cliente: tel +39 02 90699395 premendo 1 dopo messaggio registrato (consulenza su prodotti e impianti)

Pre & Post Vendita: fax +39 02 90699302

Email prevendita: prevendita@vortice-italy.com

Technical Data Sheet

CODE 45390

VORT NRG 600 EC EH

Heat recovery units equipped with static heat exchangers



DESCRIPTION

- Frames consisting of rounded aluminium profiles with built-in, polyamide made, spacers for class TB2 thermal break; corners made of reinforced polyamide; double skin (sandwich), 10/10 panels (inner side with galvanized steel sheet, outer side with pre-laquered metal sheet (RAL 7035) with protective film); insulation through 25 mm high density (M0) mineral wool.
- 2 EC motors, independently adjustable, external rotor type, integrating safety thermal cut-outs, with backward curved impellers directly driven by ball bearings; 2 speeds adjustable during the installation.
- Air-to-air, counter cross-flow, aluminium made heat exchanger whose high performance, certified by Eurovent, exceeds 90% according to EN 308 standard.
- Automatic pre-heater.
- Circular branch connections with lip seals to grant the system air tightness.
- 100% inner automatic by-pass.
- 2 filters, respectively G4 on extracted air (stale) and F7 on (fresh) air supply, both mounted upstream of inner components, on runners fitted with lip seals to ensure effective air tightness.
- Access to filters and inner components by security latch on removable panels.
- Brackets crimped into the structure for fixing to the ground or ceiling/false ceiling.
- Inner slanted tray to assure the proper condensate removal at product horizontally installed.
- Advanced electronic control suite, including a control box enriched by a LCD display allowing:
 - o To independently adjust the fan speeds,
 - o To modulate the opening of the by-pass,
 - o To set a weekly, holiday and public holiday timer,
 - o To control the status of both filters,
 - o To integrate the unit in a BMS (communication protocols supported are MODBUS, BACNET and WEB TCP-IP),
 - o To set the unit operation mode in case of fire, to be allowed among 5 pre-defined fan control alternatives,
 - o The machine diagnostic.
- A podlockable local circuit breaker, mounted on front panel, allows to stop the unit in case of fault.

ACCESSORIES



TOUCH LCD CP

Code 21025



NRG EC 4F

Code 21037

PER INFORMAZIONI:

Servizio al Cliente: tel +39 02 90699395 premendo 1 dopo messaggio registrato (consulenza su prodotti e impianti)

Pre & Post Vendita: fax +39 02 90699302

Email prevendita: prevendita@vortice-italy.com