

Technical Data Sheet

CODE 45394

VORT NRG 2500 EC EH

Heat recovery units equipped with static heat exchangers



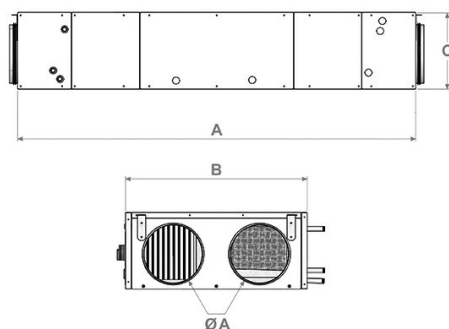
Certifications



TECHNICAL AND PERFORMANCE DATA

Filter class for extract air	G4	Nominal Diameter (mm)	400
Filter class for supply air	F7	Number of Phases (Ph)	1
Frequency (Hz)	50	Power pre-heater	5,25
Max ambient temperature for continuous operation (°C)	40	Protection current	31,4
Min ambient temperature for continuous operation (°C)	-20	Voltage (V)	230
Motor Class	F	Weight (Kg)	390
Motor IP protection	44	Delivery max (m³/h)	2600
Motor Power (W)	400X2	Sound power level - radiated Lw [dB(A)]	66

DIMENSIONS



Size A (mm)	2395
Size B (mm)	1740
Size C (mm)	495
Size D (mm)	235
Size E (mm)	910
Size F1 (mm)	840
Size F2 (mm)	785
Size F3 (mm)	770
Size G (mm)	430
Size G1 (mm)	50
Size G2 (mm)	425
Size J (mm)	330
Size K (mm)	985
Size M (mm)	1350
Size M1 (mm)	1255
Size M2 (mm)	580
Size M3 (mm)	580
Size T (mm)	1/2"
Size T1 (mm)	1/2"
Vents diameter Ø A (mm)	400

PER INFORMAZIONI:

Servizio al Cliente: tel +39 02 90699395 premendo 1 dopo messaggio registrato (consulenza su prodotti e impianti)

Pre & Post Vendita: fax +39 02 90699302

Email prevendita: prevendita@vortice-italy.com

Technical Data Sheet

CODE 45394

VORT NRG 2500 EC EH

Heat recovery units equipped with static heat exchangers



DESCRIPTION

- Frames consisting of rounded aluminium profiles with built-in, polyamide made, spacers for class TB2 thermal break; corners made of reinforced polyamide; double skin (sandwich), 10/10 panels (inner side with galvanized steel sheet, outer side with pre-laquered metal sheet (RAL 7035) with protective film); insulation through 25 mm high density (M0) mineral wool.
- 2 EC motors, independently adjustable, external rotor type, integrating safety thermal cut-outs, with backward curved impellers directly driven by ball bearings; 2 speeds adjustable during the installation.
- Air-to-air, counter cross-flow, aluminium made heat exchanger whose high performance, certified by Eurovent, exceeds 90% according to EN 308 standard.
- Automatic pre-heater.
- Circular branch connections with lip seals to grant the system air tightness.
- 100% inner automatic by-pass.
- 2 filters, respectively G4 on extracted air (stale) and F7 on (fresh) air supply, both mounted upstream of inner components, on runners fitted with lip seals to ensure effective air tightness.
- Access to filters and inner components by security latch on removable panels.
- Brackets crimped into the structure for fixing to the ground or ceiling/false ceiling.
- Inner slanted tray to assure the proper condensate removal at product horizontally installed.
- Advanced electronic control suite, including a control box enriched by a LCD display allowing:
 - o To independently adjust the fan speeds,
 - o To modulate the opening of the by-pass,
 - o To set a weekly, holiday and public holiday timer,
 - o To control the status of both filters,
 - o To integrate the unit in a BMS (communication protocols supported are MODBUS, BACNET and WEB TCP-IP),
 - o To set the unit operation mode in case of fire, to be allowed among 5 pre-defined fan control alternatives,
 - o The machine diagnostic.
- A podlockable local circuit breaker, mounted on front panel, allows to stop the unit in case of fault.

ACCESSORIES



TOUCH LCD CP

Code 21025

PER INFORMAZIONI:

Servizio al Cliente: tel +39 02 90699395 premendo 1 dopo messaggio registrato (consulenza su prodotti e impianti)

Pre & Post Vendita: fax +39 02 90699302

Email prevendita: prevendita@vortice-italy.com