

Technical Data Sheet

CODE 60790

ARIANTE 30

Rotating, multi-directional table and floor fans



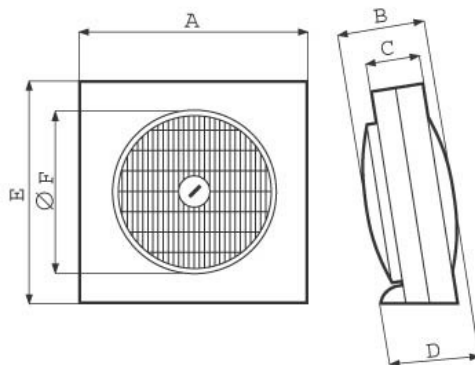
Certifications



TECHNICAL AND PERFORMANCE DATA

Absorbed Current max (A)	0,17	Airflow speed at max speed (m/s)	2,03
Absorbed Power max (W)	35	Delivery max (m ³ /h)	1306
Frequency (Hz)	50	Delivery max (m ³ /min)	21,77
Insulation Class	II ^o	giri_minuto	1075
Max. absorbed power at max speed (W)	35	RPM	1075
Voltage (V)	220-240	Service value (m ³ /min)/W	0,622
Weight (Kg)	3,5	Sound power level Lw [dB(A)]	54,5

DIMENSIONS



Size A (mm)	440
Size B (mm)	162
Size C (mm)	90
Size D (mm)	175
Size E (mm)	440
Size F (mm)	∅
	350

PER INFORMAZIONI:

Servizio al Cliente: tel +39 02 90699395 premendo 1 dopo messaggio registrato (consulenza su prodotti e impianti)

Pre & Post Vendita: fax +39 02 90699302

Email prevendita: prevendita@vortice-italy.com

Technical Data Sheet

CODE 60790

ARIANTE 30

Rotating, multi-directional table and floor fans



DESCRIPTION

- Casing moulded from plastic resin able to withstand aging induced by exposure to sunlight (UV-resistant), and formulated with an antistatic compound to prevent accumulation of dust.
- Nominal diameter: 300 mm
- Protective grilles made of ABS impact- and UV-resistant thermoplastic resin: front grille rotatable, rear grille fixed.
- Fan rotor moulded from ABS thermoplastic resin.
- 3 speed asynchronous motor with shaft turning in self-aligning and self-lubricating bushings; thermal overload protection.
- Air flow 1300 m³/h
- Front grille rotation mechanism incorporating synchronous motor with rubber gear housed in the front part of the casing.
- Provided with two rotary switches:
 - o The first switch, which has 4 positions (OFF-1-2-3), is used to turn the fan on and off and select the three speeds of the rotor
 - o The second switch, which has 2 positions (ON and OFF), is used to control the rotation of the front grille by turning the synchronous drive motor on or off.
- PVC power cord, length 1.80 m, with 10A moulded plug conforming to the requirements of the EU Machinery Directive.
- IMQ safety and performance certifications
- Recipient of the Compasso D'oro award for product design

PER INFORMAZIONI:

Servizio al Cliente: tel +39 02 90699395 premendo 1 dopo messaggio registrato (consulenza su prodotti e impianti)

Pre & Post Vendita: fax +39 02 90699302

Email prevendita: prevendita@vortice-italy.com