

Technical Data Sheet

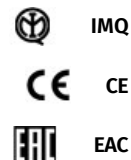
CODE 60795

ARIANTE 30 ARLECCHINO

Rotating, multi-directional table and floor fans



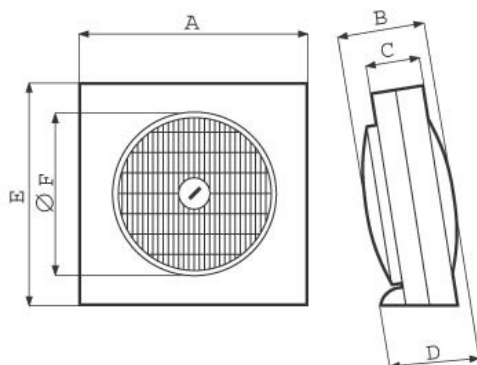
Certifications



TECHNICAL AND PERFORMANCE DATA

Absorbed Current max (A)	0,17	Airflow speed at max speed (m/s)	2,03
Absorbed Power max (W)	35	Delivery max (m ³ /h)	1306
Frequency (Hz)	50	Delivery max (m ³ /min)	21,77
Insulation Class	II ^o	giri_minuto	1075
Voltage (V)	220-240	RPM	1075
Weight (Kg)	3,5	Service value (m ³ /min)/W	0,622
		Sound power level Lw [dB(A)]	54,5

DIMENSIONS



Size A (mm)	440
Size B (mm)	162
Size C (mm)	90
Size D (mm)	175
Size E (mm)	440
Size F (mm)	350

PER INFORMAZIONI:

Servizio al Cliente: tel +39 02 90699395 premendo 1 dopo messaggio registrato (consulenza su prodotti e impianti)

Pre & Post Vendita: fax +39 02 90699302

Email prevendita: prevendita@vortice-italy.com

Technical Data Sheet

CODE 60795

ARIANTE 30 ARLECCHINO

Rotating, multi-directional table and floor fans



DESCRIPTION

- Casing moulded from plastic resin able to withstand aging induced by exposure to sunlight (UV-resistant), and formulated with an antistatic compound to prevent accumulation of dust.

- Nominal diameter: 300 mm

- Component parts are made in 5 pastel colours (pale yellow, grey, pink, sky blue, light green). Parts are assembled entirely at random, so that the mix of colours will always be different and the visual effect always pleasing and harmonious. There are no less than 78,125 possible combinations.

In practice, every Ariante® 30 Arlecchino is different from all others of the series: a unique example of industrial art.

- Protective grilles made of ABS impact- and UV-resistant thermoplastic resin: front grille rotatable, rear grille fixed.

- Fan rotor moulded from ABS thermoplastic resin.

- 3 speed asynchronous motor with shaft turning in self-aligning and

self-lubricating bushings; thermal overload protection.

- Air flow 1300 m³/h

- Front grille rotation mechanism incorporating synchronous motor with rubber gear housed in the front part of the casing.

- Provided with two rotary switches:

- o The first switch, which has 4 positions (OFF-1-2-3), is used to turn the fan on and off and select the three speeds of the rotor

- o The second switch, which has 2 positions (ON and OFF), is used to control the rotation of the front grille by turning the synchronous drive motor on or off.

- PVC power cord, length 1.80 m, with 10A moulded plug conforming to the requirements of the EU Machinery Directive.

- IMQ safety and performance certifications

- Recipient of the Compasso D'oro award for product design

PER INFORMAZIONI:

Servizio al Cliente: tel +39 02 90699395 premendo 1 dopo messaggio registrato (consulenza su prodotti e impianti)

Pre & Post Vendita: fax +39 02 90699302

Email prevendita: prevendita@vortice-italy.com