

Technical Data Sheet

CODE 61022

NORDIK HEAVY DUTY 160

Reversible heavy duty ceiling fans



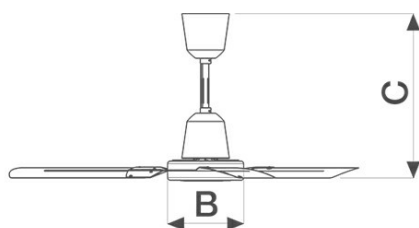
Certifications



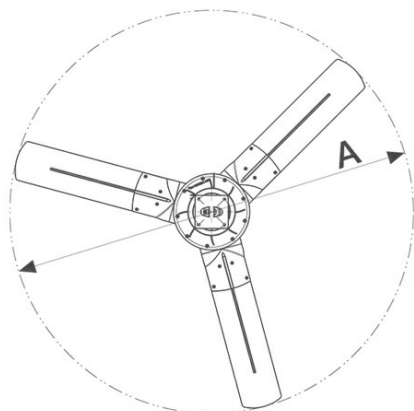
TECHNICAL AND PERFORMANCE DATA

Absorbed Current max (A)	0,37	Voltage (V)	230
Absorbed Power max (W)	85	Weight (Kg)	8,6
Blades diameter	1524	Airflow speed at max speed (m/s)	1,85
Frequency (Hz)	50	Delivery max (m ³ /h)	19300
Insulation Class	I°	Delivery max (m ³ /min)	321,6
IP	55	RPM	210
Max ambient temperature for continuous operation (°C)	50	Service value (m ³ /min)/W	3,78
Motor Power (W)	85	Sound power level Lw [dB(A)]	55,6
		Sound Pressure level Lp [dB (A)] 3m	38,09

DIMENSIONS



Size A (mm)	∅
Size B (mm)	∅ 1524
Size C (mm)	495



PER INFORMAZIONI:

Servizio al Cliente: tel +39 02 90699395 premendo 1 dopo messaggio registrato (consulenza su prodotti e impianti)

Pre & Post Vendita: fax +39 02 90699302

Email prevendita: prevendita@vortice-italy.com

Technical Data Sheet

CODE 61022

NORDIK HEAVY DUTY 160

Reversible heavy duty ceiling fans



DESCRIPTION

- Die-casted epoxy painted motor covers, colour black, sealed with EPDM gaskets to prevent dust or water entry.
- Cups made of electrogalvanized steel plate protected by a double layer of epoxy paint.
- Nominal diameter of blades 1600 mm.
- Single-phase external rotor motor, shaft mounted on ball bearings.
- 3 blades made of electrogalvanized steel plate protected by a double layer of epoxy paint.
- 4 hole support plate compatible with different types of ceilings, even highly slanted.
- Lifeline to prevent any risk of falling in case of uncorrect installation of the product.
- Possibility of automatic adjustment of up to 16 fans simultaneously, in relation to the differential measured by two temperature sensors (VORT DELTA T optional).
- Nuts and bolts, ceiling hook and rubber made damper supplied with the product.
- Adjustable speed control through auto-transformer or multiple electronic devices allowed (optionals)

ACCESSORIES



←

**ASTA DI
SOSTEGNO
L.290 HEAVY
DUTY**
Code 22717



**ASTA DI
SOSTEGNO
L.665 HEAVY
DUTY**
Code 22718



**ASTA DI
SOSTEGNO
L.915 HEAVY
DUTY**
Code 22719



**SET PALE D.160
HEAVY DUTY**
Code 22726

→

PER INFORMAZIONI:

Servizio al Cliente: tel +39 02 90699395 premendo 1 dopo messaggio registrato (consulenza su prodotti e impianti)

Pre & Post Vendita: fax +39 02 90699302

Email prevendita: prevendita@vortice-italy.com