

# Technical Data Sheet

CODE 61025

## NORDIK HEAVY DUTY 140 INOX



Reversible heavy duty ceiling fans



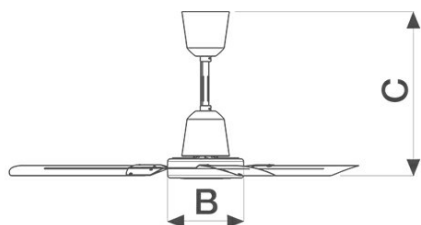
Reversible heavy duty ceiling fans



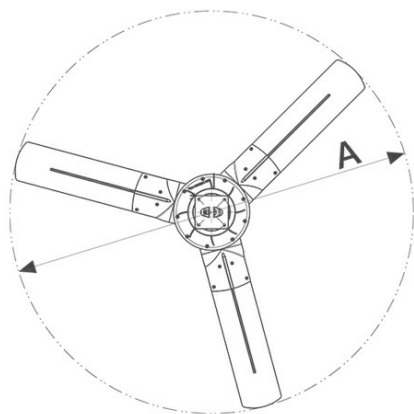
### TECHNICAL AND PERFORMANCE DATA

Absorbed Current max (A)	0,35	Voltage (V)	230
Absorbed Power max (W)	80	Weight (Kg)	7,7
Blades diameter	1422	Blades diameter (mm)	201
Frequency (Hz)	50	Delivery max (m <sup>3</sup> /h)	16000
Insulation Class	I°	Delivery max (m <sup>3</sup> /min)	266,6
IP	55	RPM	236
Max ambient temperature for continuous operation (°C)	50	Service value (m <sup>3</sup> /min)/W	3,332
Motor Power (W)	80	Sound power level L <sub>w</sub> [dB(A)]	55,4
		Sound Pressure level L <sub>p</sub> [dB (A)] 3m	37,90

### DIMENSIONS



Size A (mm)	Ø
Size B (mm)	Ø 230
Size C (mm)	495



#### PER INFORMAZIONI:

Servizio al Cliente: tel +39 02 90699395 premendo 1 dopo messaggio registrato (consulenza su prodotti e impianti)

Pre & Post Vendita: fax +39 02 90699302

Email prevendita: [prevendita@vortice-italy.com](mailto:prevendita@vortice-italy.com)

# Technical Data Sheet

CODE 61025

## NORDIK HEAVY DUTY 140 INOX



Reversible heavy duty ceiling fans

### DESCRIPTION

- Die-casted epoxy painted motor covers, colour black, sealed with EPDM gaskets to prevent dust or water entry.
- Cups made of AISI 304 stainless steel .
- Nominal diameter of blades 1400 mm.
- Single-phase external rotor motor, shaft mounted on ball bearings.
- 3 blades made of AISI 304 stainless steel.
- 4 hole support plate compatible with different types of ceilings, even highly slanted.
- Lifeline to prevent any risk of falling in case of uncorrect installation of the product.
- Possibility of automatic adjustment of up to 16 fans simultaneously, in relation to the differential measured by two temperature sensors (VORT DELTA T optional).
- Nuts and bolts, ceiling hook and rubber made damper supplied with the product.
- Adjustable speed control through auto-transformer or multiple electronic devices allowed (optionals)

### ACCESSORIES



←

**ASTADI  
SOSTEGNO  
L.290 HEAVY  
DUTY INOX**  
Code 22721



**ASTADI  
SOSTEGNO  
L.665 HEAVY  
DUTY INOX**  
Code 22722



**ASTADI  
SOSTEGNO  
L.915 HEAVY  
DUTY INOX**  
Code 22723



**SET PALE D.140  
HEAVY DUTY  
INOX**  
Code 22729

→

#### PER INFORMAZIONI:

Servizio al Cliente: tel +39 02 90699395 premendo 1 dopo messaggio registrato (consulenza su prodotti e impianti)  
Pre & Post Vendita: fax +39 02 90699302  
Email prevendita: [prevendita@vortice-italy.com](mailto:prevendita@vortice-italy.com)