



CALDOPRO® RANGE

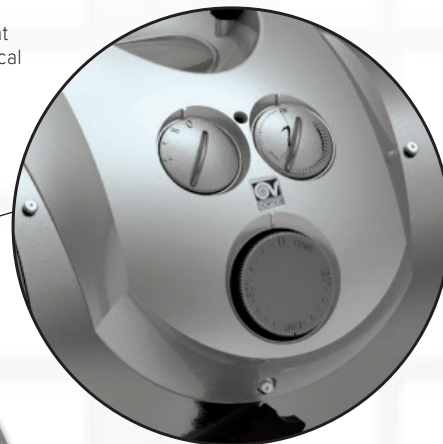
Portable professional fan heaters

Single-phase and three-phase convector heaters specifically designed for professional use in construction sites, warehouses, laboratories and, more generally, wherever high heating powers (up to 5 kW) are required, combined with resistance to impact, water and dirt accumulation.

- Ideal for use in constructions sites.
- Heating element can be excluded to allow for use as a fan.
- High protection rating from dust and water:
- Three-phase power supply available.

Note: These products are not suitable for primary heating. These products are only suitable for properly insulated rooms or for occasional use.

Controls: room thermostat adjustment knob, mechanical timer control knob.



Steel sheet support feet with antivibration mounts.



TECHNICAL FEATURES

- 3 models, different for maximum power and power supply (single-phase and three-phase).
- Grey-painted cylindrical steel sheet structure enclosed at the ends by a pair of grilles protecting the air inlet and outlet.
- Fan unit with 5-blade aluminium moulded axial impeller.
- Tubular heating element protected from contact with dust and water and therefore suitable for use in heavy duty conditions, with automatically resettable thermal overload limiter.
- Control panel located on top of the main cylindrical enclosure, moulded out of self-extinguishing plastic resin (ABS), painted grey and with a built-in handle for easier product transport.
- Mechanical timer (max duration 180 minutes) for delayed product shut-down.
- 4-position rotary switch/selector: to switch on the product, select the power output, and “ventilation” mode operation setting (the heating element is not powered and the product works as a common fan).
- Bulb room thermostat, guaranteeing greater reading accuracy.
- Approx. 1.8 m power cord with safety plug, Shuko for single-phase model, 5-pole industrial (3 poles + N + T) for three-models.
- Bent and painted steel sheet feet with antivibration mounts.
- Safety certified by third party body (CE).
- Protection rating from dust and water: IPX4 (suitable for Zone 1 installation).
- Class of electric isolation: I (earthing required).





CALDPRO® RANGE

Portable professional fan heaters

TECHNICAL DATA

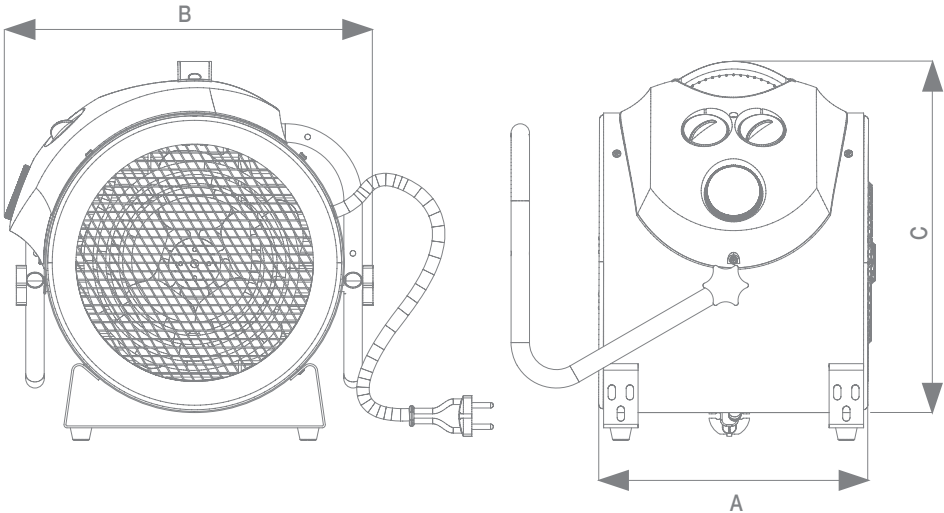
PRODUCTS	CODES	V~50HZ	W	A	KG
CALDOPRO PLUS 3000 M	70805	230	3000	13.0	5.4
CALDOPRO PLUS 3000 T	70806	400	3000	4.3	5.4
CALDOPRO PLUS 5000 T	70807	400	5000	7.2	5.4

TECHNICAL DATA PURSUANT TO REGULATION 1188/2015/EU

	REFERENCE PARAMETER	UNIT OF MEASUREMENT	CALDOPRO PLUS 3000 M	CALDOPRO PLUS 3000 T	CALDOPRO PLUS 5000 T
Storage devices with pilot light	-	-	no	no	no
Devices with stand-by mode	-	-	no	no	no
Seasonal energy efficiency of space heating	η_{s}	%	36	36	36
THERMAL POWER					
Rated thermal power	P _{nom}	kW	3	3	5
Minimum thermal power (indicative)	P _{min}	kW	3	3	5
Maximum continuous thermal power	P _{max,c}	kW	3	3	5
AUXILIARY ELECTRICITY CONSUMPTION					
Auxiliary electricity consumption at rated thermal power	el _{max}	kW	0.03	0.03	0.03
Auxiliary electricity consumption at minimum thermal power	el _{min}	kW	0.03	0.03	0.03
Auxiliary electricity consumption in stand-by mode	el _{SB}	kW	0.03	0.03	0.03
TYPE OF THERMAL POWER/AMBIENT TEMPERATURE CONTROL (INDICATE ONLY ONE OPTION)					
Single phase without ambient temperature control	-	-	no	no	no
Two or more phases without ambient temperature control	-	-	no	no	no
With ambient temperature control via mechanical thermostat	-	-	yes	yes	yes
With electronic ambient temperature control	-	-	no	no	no
With electronic ambient temperature control and daily timer	-	-	no	no	no
With electronic ambient temperature control and weekly timer	-	-	no	no	no
OTHER CONTROL OPTIONS (YOU CAN SELECT MULTIPLE OPTIONS)					
Ambient temperature control with presence sensor	-	-	no	no	no
Ambient temperature control with open window sensor	-	-	no	no	no
Control with remote control option	-	-	no	no	no
Adaptable switch-on control	-	-	no	no	no
Control with operating time limitation	-	-	no	no	no
Control with black globe thermometer	-	-	no	no	no



DIMENSIONS



PRODUCTS	A	B	C
CALDOPRO PLUS 3000 M	250	300.5	340
CALDOPRO PLUS 3000 T	250	300.5	340
CALDOPRO PLUS 5000 T	250	330.0	340

Dimensions in mm

APPLICATIONS

