



# CALDORÈ® RANGE

Portable convector/fan heaters

Portable electric convector/fan heaters designed to effectively and quickly guarantee necessary integration to the primary heating systems installed in the domestic or commercial premises where the unit is to be installed.

- Portable but compatible with wall installation.
- Sturdy and fire resistant steel sheet and self-extinguishing resin enclosure.
- Daily programmer (CALDORÈ RT).
- Design: F. Trabucco - M. Vecchi.

*Note: These products are not suitable for primary heating. These products are only suitable for properly insulated rooms or for occasional use.*



Retractable power cord.



The RT model is equipped with an adjustable daily programmer with minimum intervals of 15'.



Feet with special non-slip rubber pads.



## TECHNICAL FEATURES

---

- 3 models, in convector heater version (CALDORÈ) and fan heater version (CALDORÈ), also in timer version (CALDORÈ RT).
- Panels and grilles made of steel sheet with scratch-resistant paint finish, colour grey.
- Flanks made of self-extinguishing plastic resin, colour grey.
- Needle heating elements, protected by a manually resettable thermal overload limiter. Heating power can be set on three levels for the best compromise between effectiveness and savings. The heating element can be excluded to allow for use of CALDORÈ R and CALDORÈ RT as simple fans.
- Set of lit switches for on/off control, selection of the heat element power level, turn on the impeller (CALDORÈ R) and activate the timer (CALDORÈ RT).
- Room thermostat with antifreeze function, guaranteeing automatic activation of the fan heater whenever ambient temperature drops below 5 °C.
- Daily programmer to set on and delayed shut-down of the product (CALDORÈ RT).
- Power cable including Italian plug, approx. 1.6 m, can be conveniently recoiled to be retracted at the bottom of the product.
- Stabilizer feet with special non-slip rubber pads.
- Safety certified by third party body (CE).
- Protection rating from dust and water: IPX1 (suitable for installation in bathroom Zone 1).
- Class of electric isolation: II (earthing not required).





# CALDORÈ® RANGE

Portable convector/fan heaters

## TECHNICAL DATA

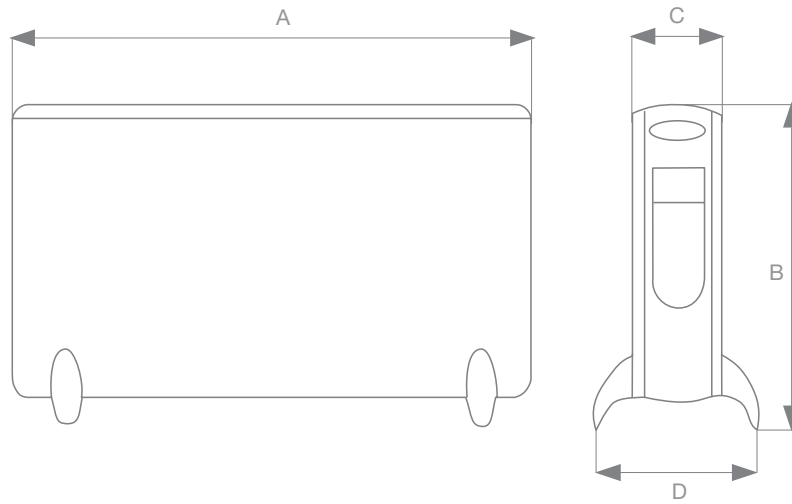
PRODUCTS	CODES	V~50HZ	W	A	KG
CALDORÈ	70201	230	800/1200/2000	8.7	3.9
CALDORÈ R	70211	230	800/1200/2000	8.7	5.2
CALDORÈ RT	70221	230	800/1200/2000	8.7	5.3

## TECHNICAL DATA PURSUANT TO REGULATION 1188/2015/EU

	REFERENCE PARAMETER	UNIT OF MEASUREMENT	CALDORÈ	CALDORÈ R	CALDORÈ RT
Storage devices with pilot light	-	-	no	no	no
Devices with stand-by mode	-	-	no	no	no
Seasonal energy efficiency of space heating	η <sub>s</sub>	%	36.	36.	36
<b>THERMAL POWER</b>					
Rated thermal power	P <sub>nom</sub>	kW	2	2	2
Minimum thermal power (indicative)	P <sub>min</sub>	kW	0.8	0.8	0.8
Maximum continuous thermal power	P <sub>max,c</sub>	kW	2	2	2
<b>AUXILIARY ELECTRICITY CONSUMPTION</b>					
Auxiliary electricity consumption at rated thermal power	e <sub>lmax</sub>	kW	0	0,018	0,018
Auxiliary electricity consumption at minimum thermal power	e <sub>lmin</sub>	kW	0	0,018	0,018
Auxiliary electricity consumption in stand-by mode	e <sub>lSB</sub>	kW	0	0,018	0,018
<b>TYPE OF THERMAL POWER/AMBIENT TEMPERATURE CONTROL (INDICATE ONLY ONE OPTION)</b>					
Single phase without ambient temperature control	-	-	no	no	no
Two or more phases without ambient temperature control	-	-	no	no	no
With ambient temperature control via mechanical thermostat	-	-	yes	yes	yes
With electronic ambient temperature control	-	-	no	no	no
With electronic ambient temperature control and daily timer	-	-	no	no	no
With electronic ambient temperature control and weekly timer	-	-	no	no	no
<b>OTHER CONTROL OPTIONS (YOU CAN SELECT MULTIPLE OPTIONS)</b>					
Ambient temperature control with presence sensor	-	-	no	no	no
Ambient temperature control with open window sensor	-	-	no	no	no
Control with remote control option	-	-	no	no	no
Adaptable switch-on control	-	-	no	no	no
Control with operating time limitation	-	-	no	no	no
Control with black globe thermometer	-	-	no	no	no



## DIMENSIONS



PRODUCTS	A	B	C	D
CALDORÈ	580	415	200	100
CALDORÈ R	685	415	200	100
CALDORÈ RT	685	415	200	100

Dimensions in mm

## APPLICATIONS

