

## CA V0 RANGE

In-line centrifugal fans in self-extinguishing plastic



Self-extinguishing plastic resin mixed flow duct fans, installed in false ceilings or in attics. The ideal low-visual impact ventilation solution for residential, commercial or industrial premises (kitchens, toilets, laboratories, bars, restaurants, laundries, shops, etc.).


### VERSIONS

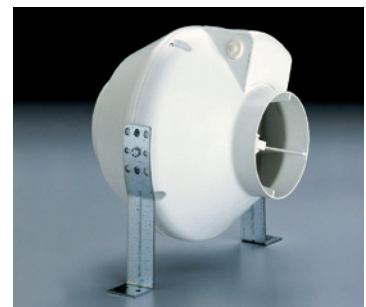
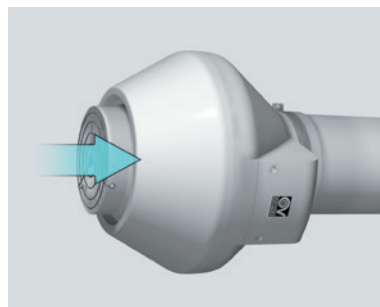
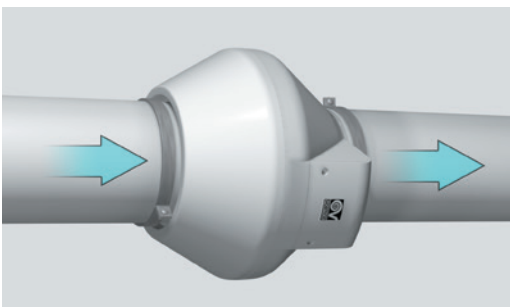
7 models, with nominal diameter between 100 and 315 mm.

### KEY FEATURES

- Built to withstand aggressive agents.
- Standard supplied support brackets.
- High protection rating from dust and water for safe use in industrial environments.
- Wide continuous operation temperature range (-25 °C / + 50 °C).
- Can be installed horizontally, vertically or sloping.
- Fully compliant with Reg. ErP 2018 N. 1253/2014

### TECHNICAL FEATURES

- Casing built into the boxes containing the mains connection terminals and the flow conditioner fins, constructed in self-extinguishing plastic resin (V0).
- 3-speed fans that can be set using optional device TRIO-CA (code 12869), composed of:
  - AC motors with thermal overload cut-out and shafts turning on ball bearings to guarantee long lasting continuous service (at least 30,000 h) at the maximum plate temperature.
  - Backward-curve, heat resistant plastic resin blade impellers loaded with glass fibre to combine structural strength and dimensional stability.
  - Galvanised steel sheet brackets for wall, ceiling and false ceiling installation.
- Possibility of connecting to remote environmental temperature, humidity, smoke and presence sensors (optional).
- Protection rating from dusts and water: IP44 (appliance ducted in extraction and delivery).
- Insulation Class: II .





TECHNICAL DATA

Models	Code	V~50/60HZ	Max Airflow			Max Pressure		LP DB(A) 3m	Max °C	KG		
			W min/med/max	A min/med/max	RPM min/med/max	m³/h min/med/max	l/s min/med/max				mmH₂O min/med/max	Pa min/med/max
CA100 V0 D	16008	220-240	14	0.14	1660	85	24	27	269	51	50	2.4
			27	0.19	-	156	43	36	360	-		
			50	0.22	2400	251	69.7	37	366	56*		
CA125 V0 D	16018	220-240	14	0.14	1480	107	29	19	195	45	50	2.3
			27	0.19	-	200	55	33	333	-		
			52	0.22	2400	300	83	34.7	340	56*		
CA150 V0 D	16028	220-240	14	0.14	1400	150	41	8.4	83	44	50	2.6
			27	0.19	-	275	76	24	241	-		
			52	0.22	2400	460	128	31.8	312	56*		
CA200 V0 Q	16035	220-240	35	0.35	-	310	87	22	215	-	50	3.1
			48	0.40	-	415	115	35	351	-		
			104	0.45	2355	805	224	44.7	438	59*		
CA200 V0 E	16038	220-240	39	0.35	1320	387.1	107.5	24.6	241.2	-	50	3.5
			58	0.40	2015	605	215.3	39.2	392	-		
			90	0.40	2611	775	215.3	42.2	413.9	50.3**		
CA250 V0 E	16039	220-240	45	0.37	1600	525	145.8	22.2	218	-	50	3.7
			62	0.39	2190	730	202	35	344	-		
			90	0.40	2610	855	237.5	38.1	373.3	49.9**		
CA315 V0 E	16041	220-240	48	0.48	1280	527	146.3	27.5	270	-	55	5.5
			80	0.57	1970	825	229	50	488	-		
			120	0.54	2640	1100	305.5	56.6	554.7	54**		

\* Sound pressure level measured at 3 m in free field conditions with long-cased appliance in delivery mode in accordance with standard EN ISO 3741.

\*\* Sound pressure level measured at 3 m in free field conditions with long-cased appliance in delivery mode in accordance with standard EN ISO 9614.

## CA V0 RANGE

Available only for Extra EU market and therefore not in compliance with Reg. ErP 2018

- 4 models, with nominal diameter between 100 and 200 mm.
- 1 or 2-speed (depending on the model) motors with thermal overload cut-out and shafts turning on ball bearings to guarantee long lasting continuous service (at least 30,000 h) at the maximum plate temperature. Speed adjustment using Vortice accessory devices.
- Performance and safety certified by third party body (IMQ).

TECHNICAL DATA - AVAILABLE ONLY FOR EXTRA EU MARKET

Models	Code	V~50/60HZ	Max Airflow			Max Pressure		LP DB(A) 3m	Max °C	KG		
			W min/max	A min/max	RPM min/max	m³/h min/max	l/s min/max				mmH₂O min/max	Pa min/max
CA100 V0 D*	16034	220-240	65 85	0,32 0,38	1660 2540	150 235	41,7 65,3	30 40	274 392	51 56**	50	2,4
CA125 V0 D*	16044	220-240	67 85	0,34 0,40	1480 2470	210 360	58,3 100	25 36	245 353	45 56**	50	2,3
CA150 V0 D*	16054	220-240	70 85	0,34 0,41	1400 2390	280 500	77,8 138,9	20 34	196 333	44 56**	50	2,6
CA200 V0 Q*	16064	220-240	100	0,35	2290	700	194,4	37	363	59**	50	4,1

\* Available only for Extra EU markets

\*\* Sound pressure level measured at 3 m in free field conditions with long-cased appliance in delivery mode in accordance with standard EN ISO 3741.

\*\*\* Sound pressure level measured at 3 m in free field conditions with long-cased appliance in delivery mode in accordance with standard EN ISO 9614.

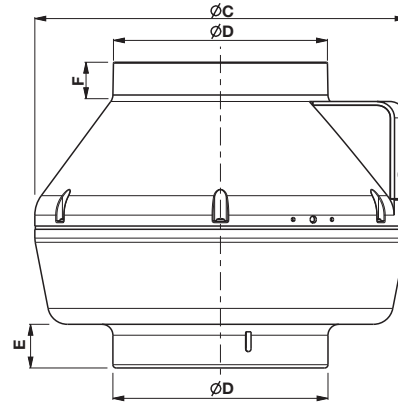
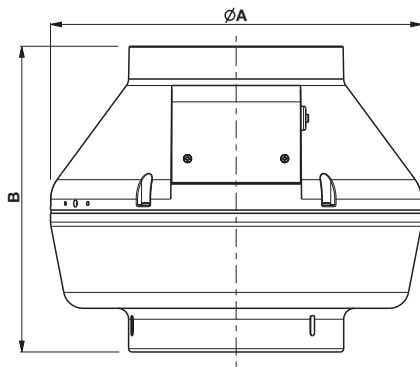


## COMMERCIAL VENTILATION

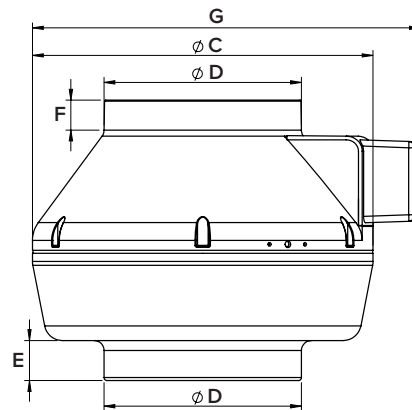
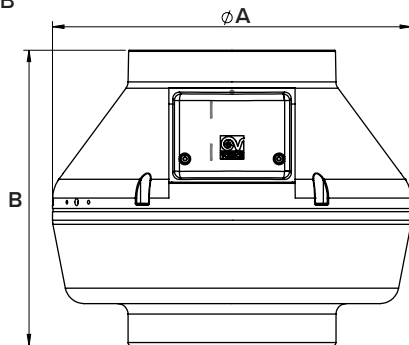
### CA V0 RANGE

#### DIMENSIONS

TYPE A



TYPE B



MODELS	ØA	B	ØC	ØD	E	F	G
CA 100 V0 D (TYPE A)	250	250	250	97	30	30	-
CA 125 V0 D (TYPE A)	250	250	250	122	30	30	-
CA 150 V0 D (TYPE A)	300	305	300	147/157	30/30	30/60	-
CA 200 V0 Q (TYPE B)	340	280	340	197	40	30	390
CA 200 V0 E (TYPE B)	340	280	340	197	40	30	390
CA 250 V0 E (TYPE B)	340	305	340	247	60	30	390
CA 315 V0 E (TYPE B)	400	340	400	312	75	40	438

Dimensions (mm)

#### AVAILABLE ONLY FOR EXTRA EU MARKET

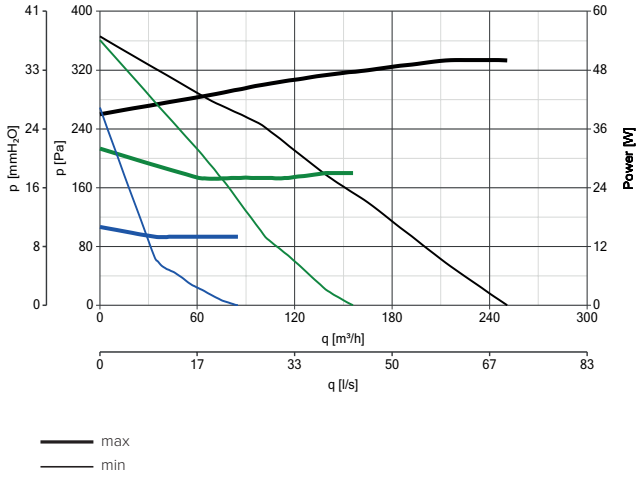
MODELS	ØA	B	ØC	ØD	E	F
CA 100 V0 D (TYPE A)	250	250	250	97	30	30
CA 125 V0 D (TYPE A)	250	250	250	122	30	30
CA 150 V0 D (TYPE A)	300	305	300	147/157	30/60	30/60
CA 200 V0 Q (TYPE A)	340	280	340	197	40	30

Dimensions (mm)

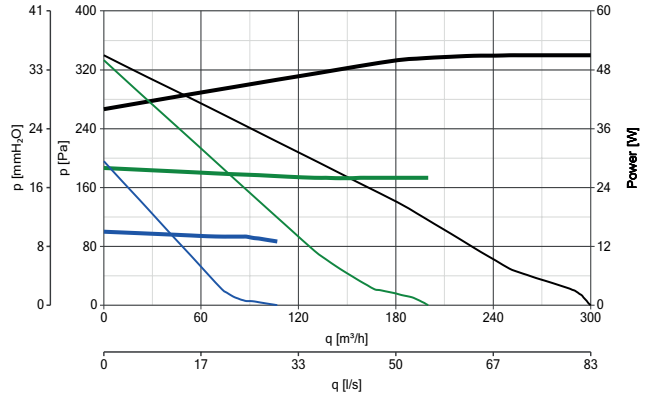


PERFORMANCES CURVES

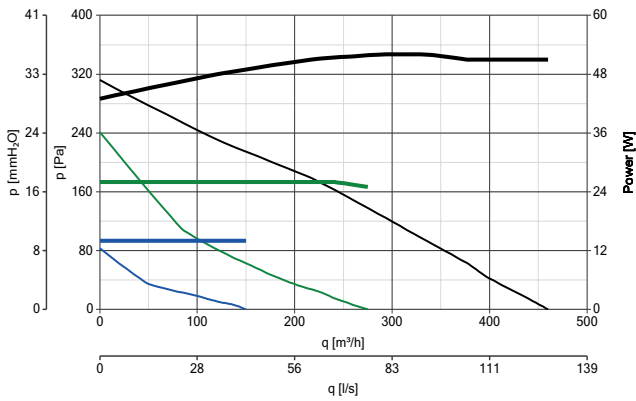
CA 100 V0 D



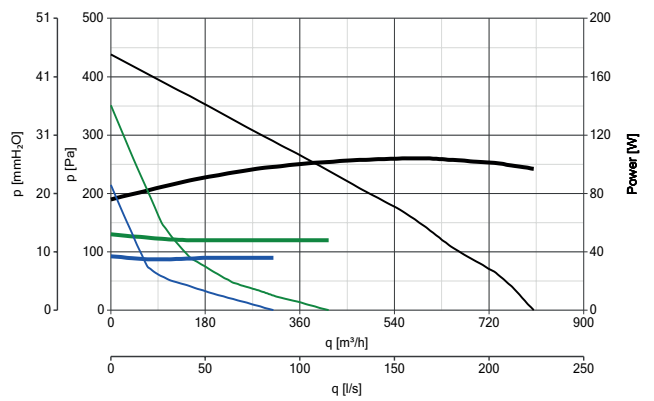
CA 125 V0 D



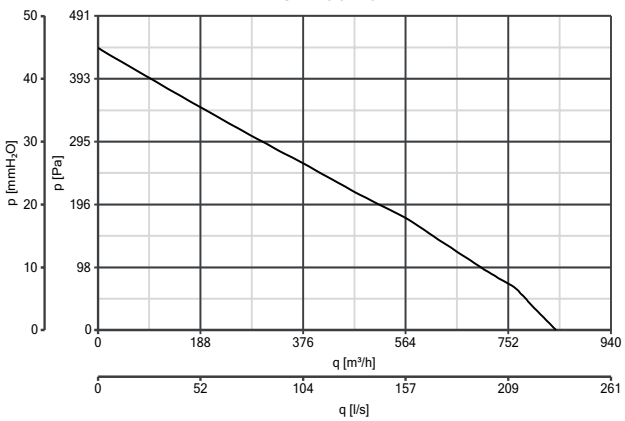
CA 150 V0 D



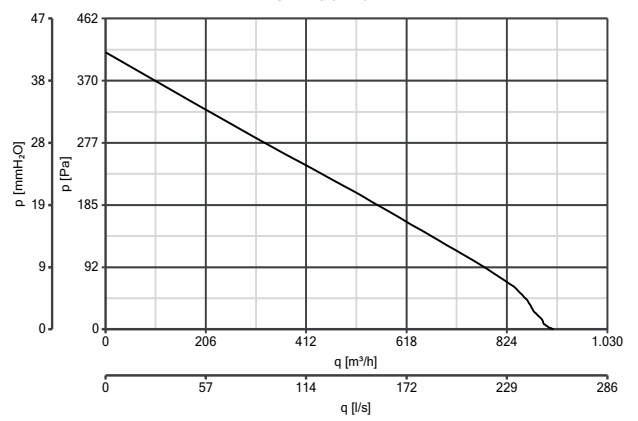
CA 200 V0 Q



CA 200 V0 E



CA 250 V0 E

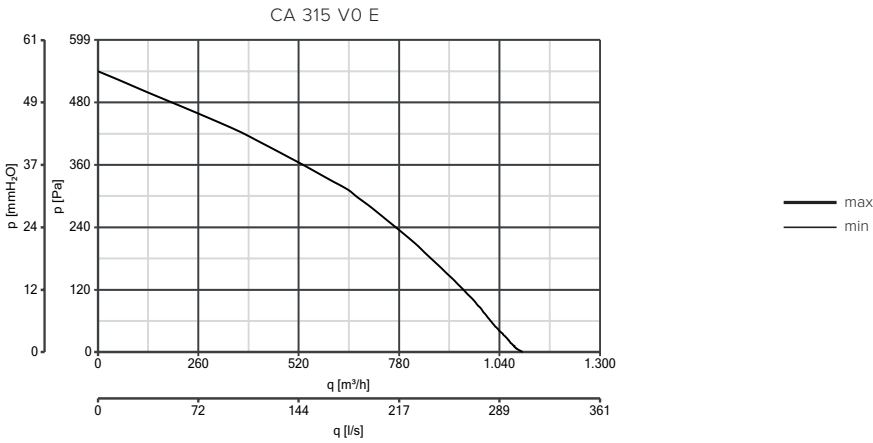




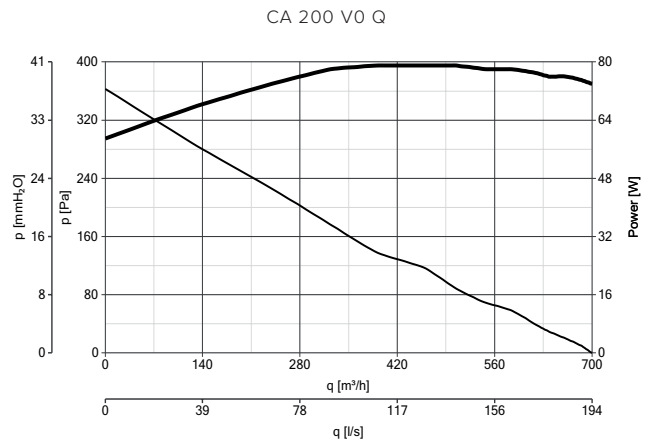
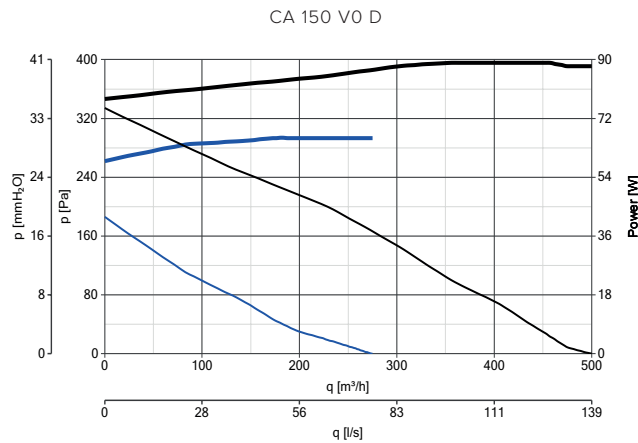
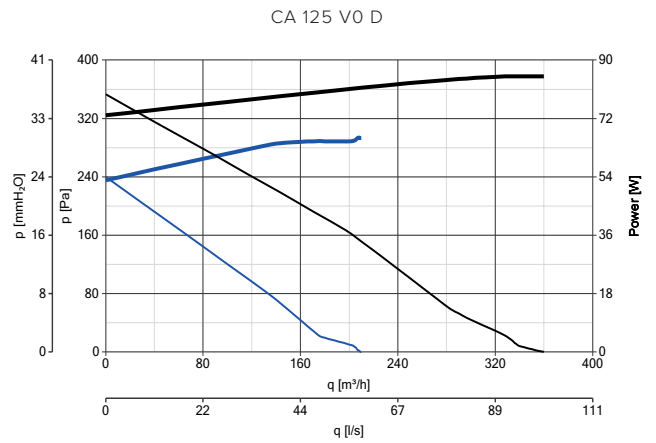
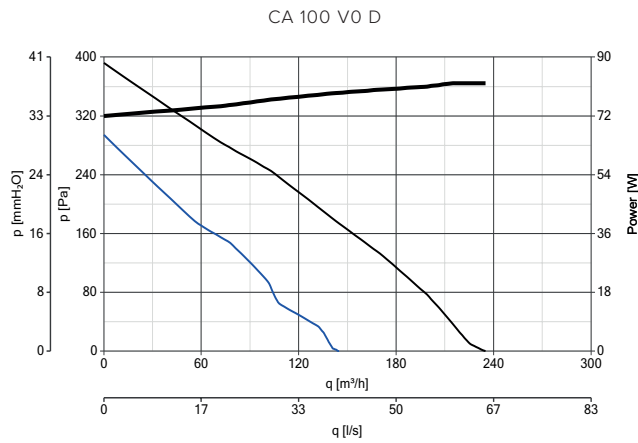
# COMMERCIAL VENTILATION

CA V0 RANGE

## PERFORMANCES CURVES











## AVAILABLE ONLY FOR EXTRA EU MARKET





POWER CONSUMPTION    PERFORMANCES CURVES  
 — max                      — max  
 — min                      — min



**CONTROLLERS**

MODELS	DESCRIPTION	CODE	PRODUCT
	<b>C 1.5</b> - ELECTRONIC SPEED CONTROLLER 1.5 A	12966	ALL PRODUCTS
	<b>C 2.5</b> - ELECTRONIC SPEED CONTROLLER 2.5 A	12967	ALL PRODUCTS
	<b>SCNRB</b> - BUILT-IN ELECTRONIC SPEED CONTROLLER	12971	ALL PRODUCTS
	<b>TRIO</b> - 3 SPEED SWITCH FOR WALL AND FLUSH MOUNTING INSIDE UNI 503 STANDARD ELECTRIC BOXES	12869	16008 - 16018 - 16028 - 16035 - 16038 - 16039 - 16041
	<b>KIT SCB</b> - BUILT-IN CONTROLLER ADAPTOR	22481	12966 - 12967
	<b>IREM D</b> - ELECTRONIC SPEED CONTROLLER FOR INSTALLATION IN STANDARD DIN BOX. MAXIMUM LOAD: 1.0 A.	12867	ALL PRODUCTS
	<b>DUO</b> - 2 SPEEDS CONTROLLER	22914	16034 - 16044 - 16054 - 16064
	<b>C TEMP</b> - THERMO SWITCH	12992	ALL PRODUCTS
	<b>C SMOKE</b> - AIR QUALITY SENSOR	12993	ALL PRODUCTS
	<b>C HCS</b> - HUMIDISTAT	12994	ALL PRODUCTS
	<b>C PIR</b> - PASSIVE INFRARED SENSOR	12998	ALL PRODUCTS
	<b>C TIMER</b> - TIMER	12999	ALL PRODUCTS

**ACCESSORIES ON REQUEST**

MODELS	DESCRIPTION	CODE	PRODUCT
	<b>CA-MU</b> - MOUNTING BRACKETS	22674	ALL PRODUCTS
		100	22750
		125	22755
		150	22760
	<b>CA-G</b> - PROTECTION GRILLE	200	22765
		250	22770
		315	22775
			16008
			16018
			16028
			16035 - 16038
			16039
			16041