



NORDIK® AIR DESIGN RANGE

NEW

Ceiling fans

- Caps, motor covers and external casings of the support rods (suspension pipes) incorporating the control electronics, moulded in transparent plastic resin (PC), embossed internally and painted in different colours.
- Reverse function It allows to reverse the air flow direction from floor to ceiling; this means that the flow is no longer direct, but wider and more all-round. It also helps reducing the difference in temperature between the floor (where the temperature is lower) and the ceiling (where it is in winter time).
- Carbon fibre blades, to team lightness and torsional rigidity, shaped with airfoil profile to combine reduced noise levels and high efficiency even at low speeds.
- Electro-galvanised steel support rods.
- Can be installed on steep sloping ceilings.
- External rotor type self-protected motors, operating clockwise and anti-clockwise, with shafts mounted on ball bearings to guarantee prolonged continuous service at maximum plate temperature and designed to ensure high performance also at low speeds.
- LED lighting system (3500 °K colour temperature), which offers three alternative lighting modes, which are selected via remote control.
- Safety cable, compliant with the most recent international regulation regarding safety of ceiling fans, to prevent risks of falling if the product is not installed correctly.
- Safety certified by third party body (CE).
- Class of electric isolation: II (earthing not required).

Adjustable LED system

HOME ENVIRONMENT

Powered by 60 LEDs in the central part of the ceiling lamp, 120° light beam, intensity adjustable as desired.



WORK ENVIRONMENT ("DARK LIGHT")

Powered by 50 LEDs in the outer crown of the ceiling lamp, 70° light beam, intensity adjustable as desired.



MIXED HOME-WORK ENVIRONMENT

Powered by all 110 LEDs on the ceiling lamp, intensity adjustable as desired.



TECHNICAL DATA

MODELS	CODE	COLOR	V	HZ	W	A	RPM	NR. BLADE	MAX AIRFLOW m ³ /h	Kg
NORDIK AIR DESIGN 140-17	61030	TRASPARENT	220 - 240	50	115	0.54	184	3	12500	9.7
NORDIK AIR DESIGN 140-17	61033	WHITE	220 - 240	50	115	0.54	184	3	12500	9.7
NORDIK AIR DESIGN 140-17	61036	TITANIUM	220 - 240	50	115	0.54	184	3	12500	9.7
NORDIK AIR DESIGN 140-29	61031	TRASPARENT	220 - 240	50	115	0.54	184	3	12500	9.7
NORDIK AIR DESIGN 140-29	61034	WHITE	220 - 240	50	115	0.54	184	3	12500	9.8
NORDIK AIR DESIGN 140-29	61037	TITANIUM	220 - 240	50	115	0.54	184	3	12500	9.8
NORDIK AIR DESIGN 160-29	61032	TRASPARENT	220 - 240	50	115	0.54	162	3	15500	10.0
NORDIK AIR DESIGN 160-29	61035	WHITE	220 - 240	50	115	0.54	162	3	15500	10.0
NORDIK AIR DESIGN 160-29	61038	TITANIUM	220 - 240	50	115	0.54	162	3	15500	10.0
NORDIK AIR DESIGN 180-29	61039	TRASPARENT	220 - 240	50	115	0.54	148	3	16500	10.0
NORDIK AIR DESIGN 180-29	61041	WHITE	220 - 240	50	115	0.54	148	3	16500	10.0
NORDIK AIR DESIGN 180-29	61042	TITANIUM	220 - 240	50	115	0.54	148	3	16500	10.0

NORDIK® AIR DESIGN RANGE | TECHNICAL DATA FOR REGULATION N° 206/2012 UE

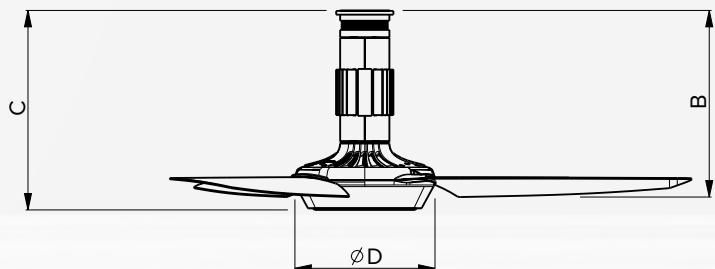
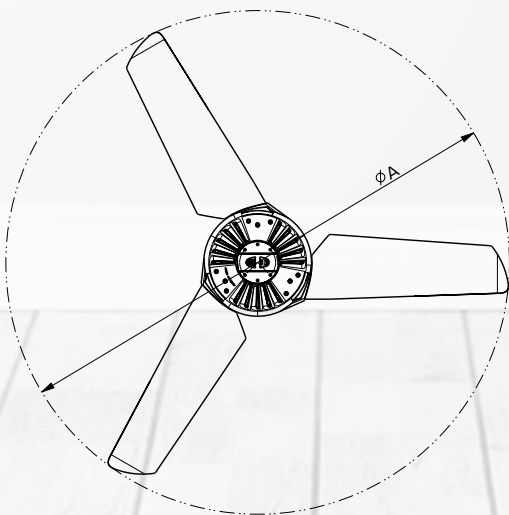
	SYMBOL	UNIT	NORDIK AIR DESIGN 140-17	NORDIK AIR DESIGN 140-29	NORDIK AIR DESIGN 160-29	NORDIK AIR DESIGN 180-29
CODE			61030 - 61033 - 61036	61031 - 61034 - 61037	61032 - 61035 - 61038	61039 - 61041 - 61042
Maximum fan air flow	F	m ³ /min	208.33	208.33	258.33	275
Fanpower input	P	W	115	115	115	115
Service value	SV	(m ³ /min)/W	1.811	1.811	2.246	2.391
Standby power consumption	PSB	kW	-	-	-	-
Fan sound power level	LWA	dB(A)	48.2	48.2	48.7	48.9
Maximum air velocity	C	m/sec	1.57	1.57	1.49	1.42

Measurement standard for service value

IEC 60879; EN62301: UNI EN ISO 3741

For more information refer to: Vortice Elettrosociali Spa, Strada Cerca, 2 - 20067 Zoate di Tribiano (MI) Italia

DIMENSIONS



MODELS	CODE	ØA	B	C	ØD
NORDIK AIR DESIGN 140-17	61030 - 61033 - 61036	1400	400	425	300
NORDIK AIR DESIGN 140-29	61031 - 61034 - 61037	1400	520	545	300
NORDIK AIR DESIGN 160-29	61032 - 61035 - 61038	1600	520	545	300
NORDIK AIR DESIGN 180-29	61039 - 61041 - 61042	1800	520	545	300

Dimensions (mm)



NORDIK® AIR DESIGN RANGE NEW

Ceiling fans

CUSTOMISATION

Create your Air Design however you like: choose the blade kit finish, the colour of the suspension system kit and the motor unit kit directly from our new configurator, available on our website [vortice.com \(http://airdesign.vortice.it/en\)](http://airdesign.vortice.it/en).



MOTOR UNIT KIT

TRASPARENT	WHITE	TITANIUM	RED
21020	21021	21022	21023

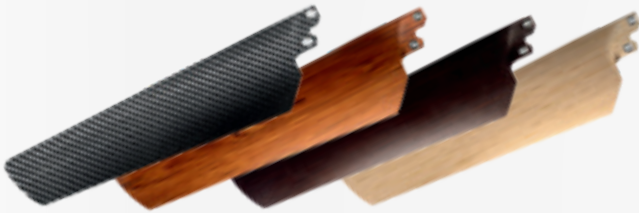
SUSPENSION SYSTEM KIT

COLOR	170	290	665
TRASPARENT	21040	21045	21050
WHITE	21041	21046	21051
TITANIUM	21042	21047	21052
RED	21043	21048	21053



BLADE KIT

COLOR	120 CM	140 CM	160 CM	180 CM
CARBON BLADE	21060	21064	21068	21072
CARBON ROSEWOOD BLADE	21061	21065	21069	21073
CARBON OAK BLADE	21062	21066	21070	21074
CARBON WENGE BLADE	21063	21067	21071	21075



EXAMPLE CONFIGURATION

White Suspension
System Kit 290 code 21046
White Motor Unit Kit code 21021
Carbon Oak Blade Kit 160
code 21070



Titanium Suspension
System Kit 290 code 21047
Titanium Motor Unit Kit code 21022
Carbon Rosewood Blade Kit 160
code 21069



White Suspension
System Kit 290 code 21046
Red Motor Unit Kit code 21023
Carbon Blade Kit 160
code 210687



White Suspension
System Kit 290 code 21046
White Motor Unit Kit code 21021
Carbon Wenge Blade Kit 160
code 21071

