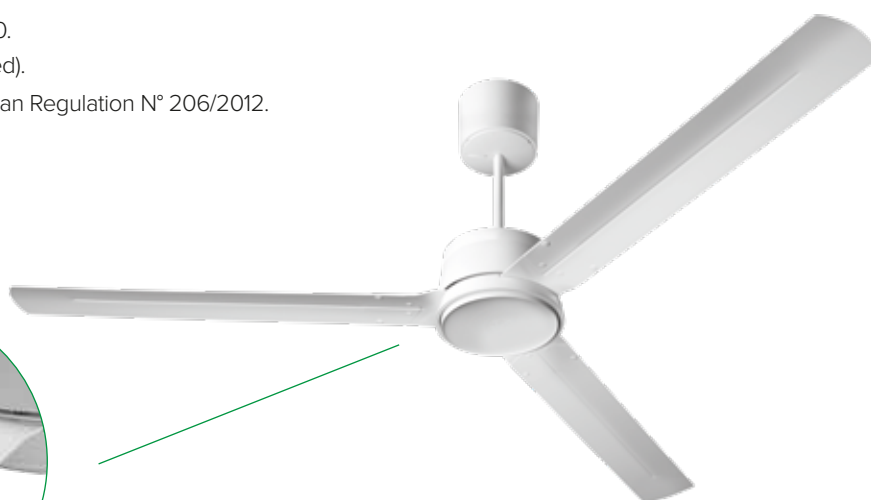
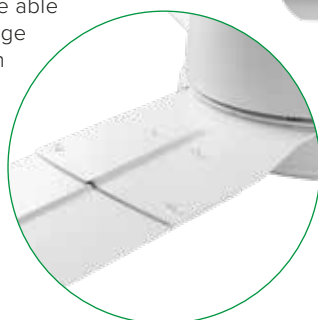


NORDIK® ECO RANGE

Reversible ceiling fans for residential and commercial applications, equipped with EC motors (brushless), which ensure low consumption (indicatively half that of traditional AC units of equal power and performance), and allow the speed to be controlled to adapt performance to the actual requirements.

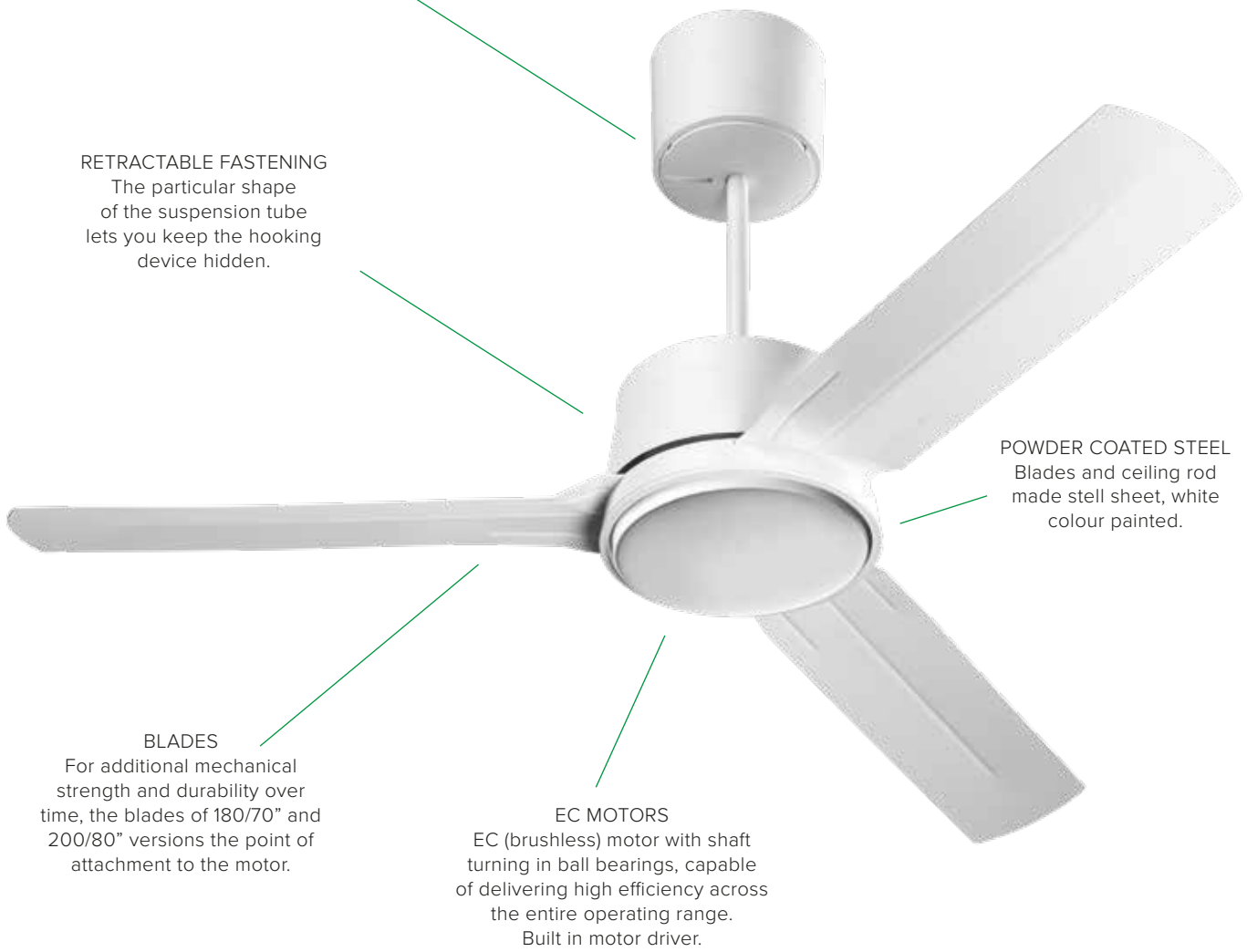
- 6 models, available with blade diameters of 90, 120, 140, 160, 180, 200 all white.
- Design and construction entirely “Made in Italy”.
- Reduced consumption (important in the case of a high number of products installed and prolonged periods of their annual use).
- High continuous use environment temperature (45°C).
- Indicated also for night-time operation, thanks to the painted sheet steel blades with profile accurately studied to guarantee particularly silent operation.
- Reversibility function: it is possible to invert the direction of the air flow, directing it from the bottom upwards to create an indirect flow and therefore more comfortable, enveloping and ample. In this way, de-stratification of the heat is improved in the winter, reducing the temperature difference between the floor (colder) and the ceiling (warmer).
- Cools persons positioned within a circumference corresponding to approx. 2.5 times the outside diameter of the blades in a completely free environment. In the presence of walls tangent to the circumference, the cooling effect is accentuated. The minimum height of the fan from the ground must be 2.3 m.
- Caps and motor covers in heat resistant plastic resin (ABS), which are also “UV resistant”.
- Electronic switch-over (EC) brushless motors with shaft mounted on ball bearings to guarantee long lasting continuous service at the maximum plate temperature, and able to ensure high performance over the operating range. Integrated motor driver.
- White painted steel sheet support rods. In the 180/70” and 200/80” models the blades have specific reinforcement in the area of fixing to the motor, to guarantee higher mechanical resistance and duration over time.
- Supplied with a support rod measuring 290 mm long in steel painted with scratch-proof polyester paint.
- Bag of accessories containing the hardware necessary to mount the blades, the hook and the vibration damper rubber for ceiling mounting.
- Set-up to house the relevant light kit (optional) equipped with LEDs that guarantee very low consumption (approx. 25 W with respect to the 150 W of a traditional incandescent light bulb of equal 2000 Lumen, brightness), based on an average duration up to 25 times longer.
- Possibility of control via Vortice 5 speed control units or TELENORDIK ECO remote control (optional).
- Safety certified by third party body (⚡).
- Protection rating from dusts and water: IP20.
- Class of electric isolation: I (earthing required).
- Compliant with the requirements of European Regulation N° 206/2012.

HIGH PERFORMANCE
thanks to the particular design of
the blades, fans of the NORDIK
ECO range are able
to displace large
airflows, varying in
volume according
to the model
size.



MOTOR CUPS AND COVERS
 Motor cups and covers made moulded from heat-resistant plastic resin, white colour.

RETRACTABLE FASTENING
 The particular shape of the suspension tube lets you keep the hooking device hidden.



POWDER COATED STEEL
 Blades and ceiling rod made steel sheet, white colour painted.

BLADES
 For additional mechanical strength and durability over time, the blades of 180/70" and 200/80" versions the point of attachment to the motor.

EC MOTORS
 EC (brushless) motor with shaft turning in ball bearings, capable of delivering high efficiency across the entire operating range. Built in motor driver.



The hanger consists of a special plate with 4 holes for tight and durable fastening, which can also be used to suspend the appliance from sloping ceilings.

NORDIK ECO RANGE
ENERGY SAVING AND REVERSIBLE CEILING FANS

TECHNICAL DATA

MODELS	CODE	COLOUR	V	Hz	W	A	RPM	Blades	Max airflow m ³ /h
NORDIK ECO 90/36"	61060	White	220-240	50	27	0,26	250	3	9500
NORDIK ECO 120/48"	61061				30	0,29	235		14100
NORDIK ECO 140/56"	61062				30	0,29	235		16500
NORDIK ECO 160/60"	61063				30	0,29	210		17200
NORDIK ECO 180/70"	61064				40	0,37	205		21000
NORDIK ECO 200/80"	61065				40	0,37	200		22500

NORDIK® ECO RANGE | TECHNICAL DATA FOR REGULATION N° 206/2012 UE

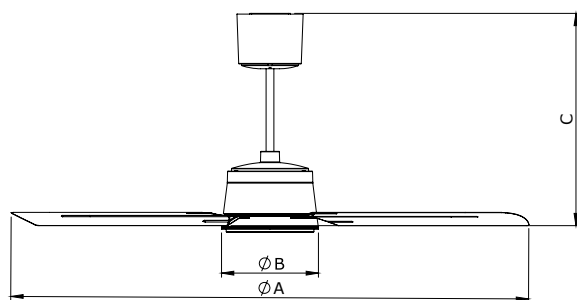
	SYMBOL	UNIT OF MEASURE	NORDIK ECO 90/36"	NORDIK ECO 120/48"	NORDIK ECO 140/56"	NORDIK ECO 160/60"	NORDIK ECO 180/70"	NORDIK ECO 200/80"
	CODE		61060	61061	61062	61063	61064	61065
Maximun fan air flow	F	m ³ /min	158,33	234,17	275	286,67	350	375
Fanpower input	P	W	27	30	30	30	40	40
Service value	SV	(m ³ /min)W	5,864	7,833	9,167	9,556	8,750	9,375
Standby power consumption	PSB	kW	0,38	0,38	0,38	0,38	0,38	0,38
Fan sound power level	LWA	dB(A)	45,6	52,1	53,9	54,2	56,9	57,8
Maximum air velocity	C	m/sec	2,88	2,41	2,07	1,65	1,59	1,38

Measurement standard for service value

IEC 60879; EN62301 : UNI EN ISO 3741

For more information refer to: Vortice Elettrosociali Spa, Strada Cerca, 2 - 20067 Zoate di Tribiano (MI) Italia

DIMENSIONS



MODELS	CODE	A	B	C
NORDIK ECO 90/36"	61060	914	237	535
NORDIK ECO 120/48"	61061	1218	237	535
NORDIK ECO 140/56"	61062	1422	237	535
NORDIK ECO 160/60"	61063	1524	237	535
NORDIK ECO 180/70"	61064	1800	237	535
NORDIK ECO 200/80"	61065	2000	237	535

Dimensions (mm)

ACCESSORIES

POT R (code 12829)



Potentiometer - for external setting of controllers with 0-10 V

TELENORDIK ECO (code 21200)



Infrared remote control

VORT DELTA T WiFi (code 21200)

WiFi multiple controller

KIT SPARE BLADE



NKE BLK 900 mm (code 21162)
NKE BLK 1200 mm (code 21163)
NKE BLK 1400 mm (code 21164)
NKE BLK 1600 mm (code 21165)
NKE BLK 1800 mm (code 21166)
NKE BLK 2000 mm (code 21167)

CEILING RODS

Various lenghts to enable installation at desired height.



NKE ROD 160 mm (code 21150)
NKE ROD 290 mm (code 21151)
NKE ROD 350 mm (code 21152)
NKE ROD 500 mm (code 21153)
NKE ROD 665 mm (code 21154)
NKE ROD 915 mm (code 21155)