



NORDIK® EVOLUTION Gold RANGE

Ceiling fans

TECHNICAL DATA

MODELS	CODE	COLOR	V	HZ	W	A	RPM	NR. BLADE	MAX AIRFLOW m³/h	Kg
NORDIK EVOLUTION R 120/48"	61733	WHITE GOLD	220 - 240	50	70	0.34	198	3	13810	6.8
NORDIK EVOLUTION R 120/48"	61735	WHITE BLACK	220 - 240	50	70	0.34	198	3	13810	6.8
NORDIK EVOLUTION R 140/56"	61734	WHITE GOLD	220 - 240	50	70	0.35	197	3	16586	7.1
NORDIK EVOLUTION R 140/56"	61736	WHITE BLACK	220 - 240	50	70	0.35	197	3	16586	7.1

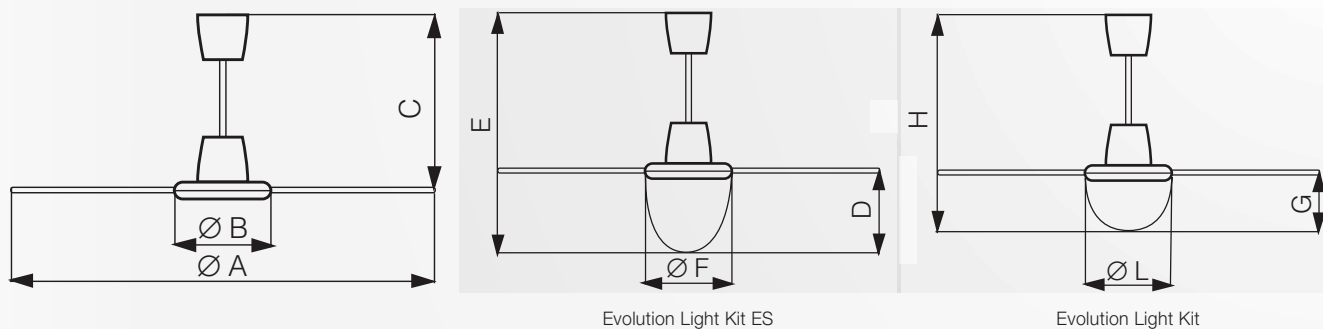
NORDIK® EVOLUTION GOLD RANGE | TECHNICAL DATA FOR REGULATION N° 206/2012 UE

	SYMBOL	UNIT	NORDIK EVOLUTION 120/48"	NORDIK EVOLUTION 140/56"
CODE			61733 - 61735	61734 - 61736
Maximun fan air flow	F	m³/min	230.17	276.43
Fanpower input	P	W	70	70
Service value	SV	(m³/min)W	3.288	3.949
Standby power consumption	PSB	kW	-	-
Fan sound power level	LWA	dB(A)	49.1	52.6
Maximum air velocity	C	m/sec	2.36	2.08

Measurement standard for service value: IEC 60879; EN62301: UNI EN ISO 3741

For more information refer to: Vortice Elettrosociali Spa, Strada Cerca, 2 - 20067 Zoate di Tribiano (MI) Italia

DIMENSIONS



MODELS	CODE	ØA	ØB	C	ØD	E	ØF	G	H	ØL
NORDIK EVOLUTION R 120/48"	61733 - 61735	1284	298	495	229	724	291	145	640	291
NORDIK EVOLUTION R 140/56"	61734 - 61736	1488	298	495	229	724	291	145	640	291

Dimensions (mm)





NORDIK® EVOLUTION Gold RANGE

Ceiling fans

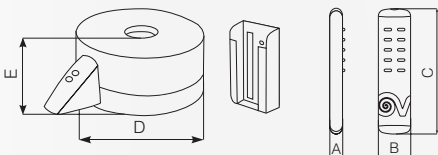
ACCESSORIES

TELENORDIK 5TR (code 22386)



- New infrared remote control 5 speeds-timer-reverse
- The receiver is hidden inside the fan casing, with only the tip in which the sensor is located protruding.
- Uses infrared transmission to eliminate possible interference with radios or other electrical units.
- Set consists of a receiver, which is fitted to the fan ceiling rod, a transmitter, which sends the desired commands to the fan and a transmitter carrying case which can be fixed to the wall.
- Provided with LED indicators showing operation and "stand-by" status (power on).
- Remote-control range: approximately 13 meters line of sight.
- Fan and remote-control unit are both IMQ approved.
- Easy to install as connections between the fan and fixed speed regulator are not necessary.
- Transmitter can control any TeleNordik receiver.

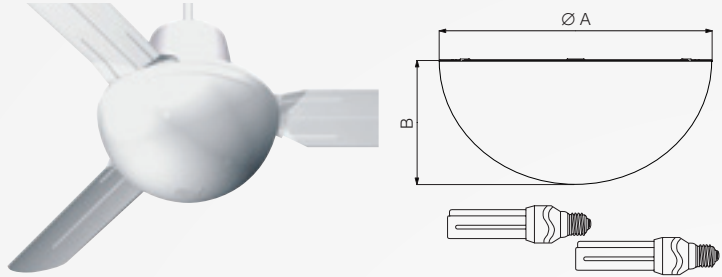
Remote control	-	infrared
Receiver Volt at 50 Hz	Hz	220-240
Stand by	W	0.558
Maximum load Watt	W	100
Transmitter battery	-	2 x AAA 1.5 V
Receiver	Kg	0.76
Transmitter	Kg	0.06
Insulation	-	Cl. II



Models	A	B	C	D	E
5TR	20	43	155	154	62

Dimensions (mm)

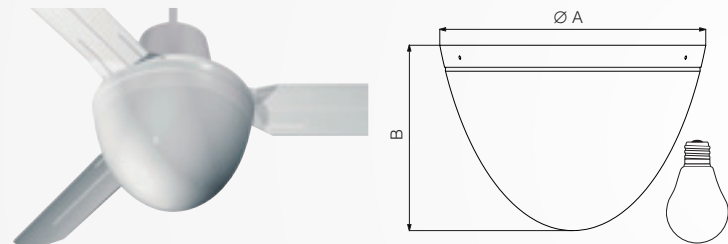
EVOLUTION LIGHT KIT ES (code 22414)



- Lighting system kit for all Nordik Evolution fans.
- Model for two energy saving lamps with Edison E27 fittings and maximum power output of 15 W each (equivalent to 75 W each).
- Diffuser globe made of strong laminated glass with opaque finish.
- Lamp max 15 W.
- Length=165 mm max.
- Not suitable for incandescent bulbs.

Models	ØA	B	Kg
Evolution Light Kit ES	291	120	1.0

EVOLUTION LIGHT KIT (code 22413)



- Lighting system kit for all Nordik Evolution fans.
- Model for one traditional incandescent bulb with Edison E27 fitting and maximum power output of 150 W.
- Diffuser made of opalescent laminated glass.

Models	ØA	B	Kg
Evolution Light Kit	291	203	1.6



KIT SPARE BLADES
(code 22676)
120/48" white gold

KIT SCBRR5/5L/M BUILT-IN
(code 22489)



- Kit to convert SCRR5 and SCRR5L position controllers from surface to flush-mounted.

SCRR/M (code 12965)



- Electronic reversible speed controller for use with up to 6 ceiling-mounted fans.
- Convertible to flush mounted using SCBRR5/5L/M.
- 220-240V ~ 50 Hz.
- Maximum load: 450W (2.5 A).
- Weight: 0.2 Kg.
- Double insulation.

SCRR5 (code 12963)



- 5-position reversible speed controller for ceiling-mounted fans without light.
- Convertible to flush-mounted using SCBRR5/5L/M.
- 220-240V ~ 50 Hz.
- Maximum load: 100W.
- Weight: 0.58 Kg.
- Double insulation.

SCNR5 (code 12955)



- 5 position speed controller for ceiling-mounted fans without light.
- Convertible to flush-mounted using SCB5 Kit.
- 220-240V ~ 50 Hz.
- Maximum load: 100W.
- Weight: 0.58 Kg.w
- Double insulation.

CEILING RODS
Various lengths to enable installation at desired height.



WHITE GOLD

- Asta NK I 200 mm (code 22681)
- Asta NK I 250 mm (code 22682)
- Asta NK I 350 mm (code 22683)
- Asta NK I 500 mm (code 22684)
- Asta NK I 750 mm (code 22685)
- Asta NK I 1000 mm (code 22686)



FLUSH OR WALL MOUNTED CONTROLS

SC 503 B (cod. 12801)

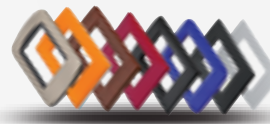
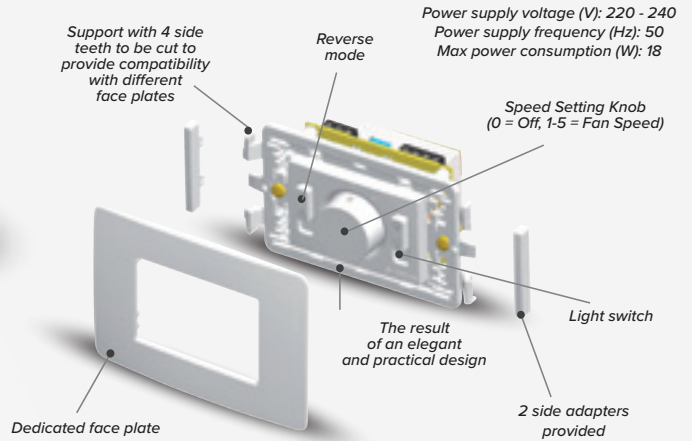


SC EXT B (cod. 12803)



Thanks to their simple innovative design, these units more than meet the aesthetics expected of them for both domestic and commercial applications. Backing plate, knob, sliders and adapters made from polycarbonate; face plate and controller for wall mounting made from UV-resistant ABS. On the white and anthracite grey flush mounted versions, the knob and face plate are in matching colours. Both the flush and wall mounted version come with:

- knob with settings from 0 to 5 for various speeds (0 = OFF, 1 - 5 = fan speed);
- a LED that shows when the fan is ON.
- two slider switches - one for the light and the other to reverse the fan (where applicable).
- Vortice ceiling fan controls are IMQ approved solely and exclusively for use with Vortice ceiling fans.



Recessed versions, thanks to an intermediate adjustable support, can be coupled with various existing standard face plates, satisfying diverse aesthetic requirements.

MULTIPLE SPEED CONTROLLER

VORT DELTA T (Code 13039)
MULTIPLE SPEED CONTROLLER UP TO 16 CEILING FANS



The intelligent control system. Simply clever: Intelligent management ensures optimal, draughtfree operation Vort Delta T - the heart of the System.

- The new, intelligent control unit Vort Delta T is equipped with two semiconductor temperature sensors (included in the package), installed respectively at ceiling and floor level.
- Electrical power is with a normal two-phase cable, of up to 50 metres in length.
- The control unit registers the temperature at ceiling and floor level up to 60 times per minute, calculates the temperature differential and in accordance with this, regulates the operating speed of the fans. When the heat layer has been dissipated and the temperature differential has been reduced to an acceptable level, the Vort Delta T automatically switches the fans off.
- The minimal temperature differential, at which level the unit is activated, is adjustable, as are the lower and higher rotational fan speeds so as to avoid draughts. This also applies to permanent operation (e.g. during summer for cooling).
- This fully automatic control system governs the system optimally, without necessitating adjustment by the users. In this manner, unauthorised meddling with the system is impossible.

- 1 The commercial building has a warm air heating system.
- 2 With the aid of adjustable laminar blades, the warm air is directed downwards in the recreation or working area.
- 3 Due to the fact that warm air has a lower specific weight than cold air, the warm air rises to ceiling height and accumulates there. The sensor controls registers the increasing temperature difference between the floor and ceiling. The Nordik fans are controlled so that the warm air from the ceiling is conducted back into the recreating or working area without causing a draught. As soon as the temperature difference between the ground and ceiling areas is in equilibrium, the Vort Delta T system automatically switches the fans off.

