



NORDIK® HVLS SUPER BLADE RANGE

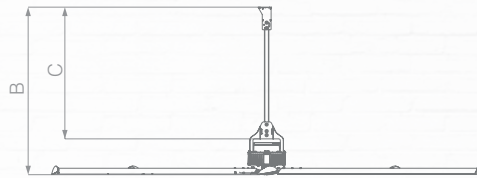
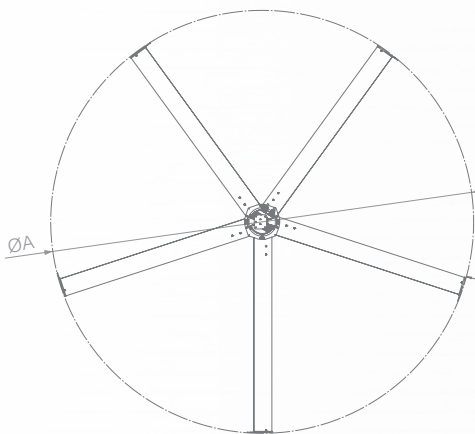
NEW

Industrial ceiling fans

TECHNICAL DATA

MODELS	CODE	V~50/60HZ	Phase	W MAX	A MAX	RPM	Ø m	NR. BLADE	MAX AIRFLOW m³/h	Kg
NORDIK HVLS SUPER BLADE 300/120"	61080	200/480	1/3	600	1.43	160	3	5	310000	80,5
NORDIK HVLS SUPER BLADE 300/120" L	61090	200/480	1/3	600	1.43	160	3	5	310000	89
NORDIK HVLS SUPER BLADE 400/160"	61081	200/480	1/3	650	1.67	100	4	5	370000	88
NORDIK HVLS SUPER BLADE 400/160" L	61091	200/480	1/3	650	1.67	100	4	5	370000	96,5
NORDIK HVLS SUPER BLADE 500/200"	61082	200/480	1/3	850	1.97	80	5	5	530000	104
NORDIK HVLS SUPER BLADE 500/200" L	61092	200/480	1/3	850	1.97	80	5	5	530000	112,5
NORDIK HVLS SUPER BLADE 600/240"	61083	200/480	1/3	850	2.02	55	6	5	600000	111,5
NORDIK HVLS SUPER BLADE 600/240" L	61093	200/480	1/3	850	2.02	55	6	5	600000	120
NORDIK HVLS SUPER BLADE 700/280"	61084	200/480	1/3	900	2.12	38	7	5	650000	131,5
NORDIK HVLS SUPER BLADE 700/280" L	61094	200/480	1/3	900	2.12	38	7	5	650000	140

DIMENSIONS



MODELS	CODE	ØA	B	C
NORDIK HVLS SUPER BLADE 300/120"	61080	3000	1880	1470
NORDIK HVLS SUPER BLADE 300/120" L	61090	3000	3310	3000
NORDIK HVLS SUPER BLADE 400/160"	61081	4000	1880	1470
NORDIK HVLS SUPER BLADE 400/160" L	61091	4000	3310	3000
NORDIK HVLS SUPER BLADE 500/200"	61082	5000	1880	1470
NORDIK HVLS SUPER BLADE 500/200" L	61092	5000	3310	3000
NORDIK HVLS SUPER BLADE 600/240"	61083	6000	1880	1470
NORDIK HVLS SUPER BLADE 600/240" L	61093	6000	3310	3000
NORDIK HVLS SUPER BLADE 700/280"	61084	7000	1880	1470
NORDIK HVLS SUPER BLADE 700/280" L	61094	7000	3310	3000

Dimensions (mm)

ACCESSORIES

VORT T (code 21137)



Control unit with LCD display, able to handle up to 10 units (control units supplied as optional).

USB-C (code 21198)

Modbus USB converter for VORT T control unit, useful for the remote control and monitoring of the fan/fans through a personal computer

POT-I (code 12832)



0 - 10V potentiometer

WP (code 21197)

Additional external anemometer for VORT T control unit, useful for the automatic control of the fan/fans in case of gusts of wind

POT (code 12828)



0 - 10V potentiometer

NHVS - RD (code 21136)

Suspension tie-rods kit:

Optional kit consisting of four of rods, designed to assure robust and safe installation.

This kit is mandatory in case of:

- Strong wind;
- Risk of accidental collisions with machines or objects in motion near the ceiling fan;
- Presence of birds;
- Seismic zone installation or areas characterized by vibrations (ex. Industrial processes involving the use of hammers or industrial presses).