



# SCALDATUTTO®

Portable fan heaters

Portable electric fan heaters which provide an effective, rapid and aesthetically pleasing solution to heat integration needs on primary systems in domestic and commercial environments.

- Plastic resin self-extinguishing enclosure.
- Heating element can be excluded to allow for use as a fan.
- Design: F. Trabucco & Associates.

*Note: These products are not suitable for primary heating. These products are only suitable for properly insulated rooms or for occasional use.*

Recessed cable.



## TECHNICAL FEATURES

---

- 1 model
- Self-extinguishing resin (PP) enclosure, resistant to aggressive chemical agents. Seat for housing the power cord built into the bottom.
- Aluminium axial impeller turned by self-aligning and self-lubricating bushings.
- Needle heating element with two pre-selectable power levels (1,000 and 2,000 W), equipped with manually resettable thermal overload limiter.
- Room thermostat to set and maintain the desired temperature, preventing energy waste. The antifreeze function automatically activates the fan heater whenever the temperature drops below 5°C.
- Indicator lights to signal that the device is on.
- Support feet on the bottom of the device for more secure positioning on the floor or on a tabletop.
- Approx. 1.8 m power cord with Shuko plug.
- Safety certified by third party body (CE).
- Protection rating from dust and water: IPX1 (suitable for installation in bathroom Zone 3).
- Class of electric isolation: II (earthing not required).





# SCALDATUTTO® RANGE

Portable fan heaters

## TECHNICAL DATA

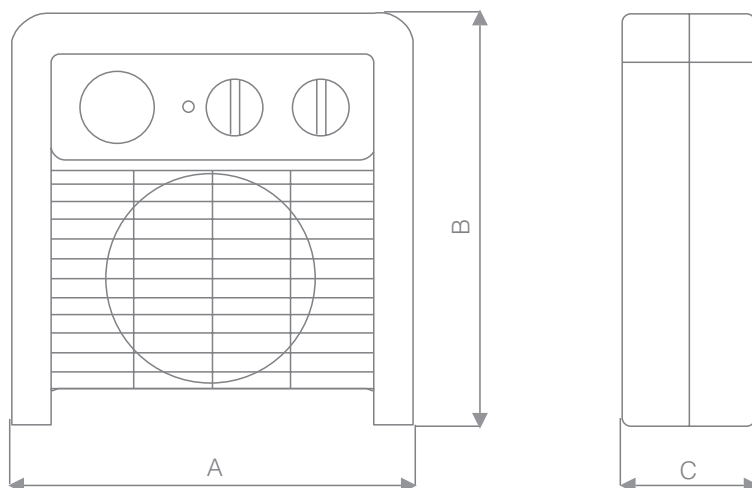
PRODUCTS	CODES	V~50HZ	W	A	KG
SCALDATUTTO CLASSIC FH-V0	70140	230	1000/2000	9.0	1.9

## TECHNICAL DATA PURSUANT TO REGULATION 1188/2015/EU

	REFERENCE PARAMETER	UNIT OF MEASUREMENT	SCALDATUTTO CLASSIC FH-V0
Storage devices with pilot light	-	-	no
Devices with stand-by mode	-	-	no
Seasonal energy efficiency of space heating	$\eta_{s}$	%	36
<b>THERMAL POWER</b>			
Rated thermal power	$P_{nom}$	kW	2
Minimum thermal power (indicative)	$P_{min}$	kW	1
Maximum continuous thermal power	$P_{max,c}$	kW	2
<b>AUXILIARY ELECTRICITY CONSUMPTION</b>			
Auxiliary electricity consumption at rated thermal power	$e_{lmax}$	kW	0,015
Auxiliary electricity consumption at minimum thermal power	$e_{lmin}$	kW	0,015
Auxiliary electricity consumption in stand-by mode	$e_{lSB}$	kW	0,015
<b>TYPE OF THERMAL POWER/AMBIENT TEMPERATURE CONTROL (INDICATE ONLY ONE OPTION)</b>			
Single phase without ambient temperature control	-	-	no
Two or more phases without ambient temperature control	-	-	no
With ambient temperature control via mechanical thermostat	-	-	yes
With electronic ambient temperature control	-	-	no
With electronic ambient temperature control and daily timer	-	-	no
With electronic ambient temperature control and weekly timer	-	-	no
<b>OTHER CONTROL OPTIONS (YOU CAN SELECT MULTIPLE OPTIONS)</b>			
Ambient temperature control with presence sensor	-	-	no
Ambient temperature control with open window sensor	-	-	no
Control with remote control option	-	-	no
Adaptable switch-on control	-	-	no
Control with operating time limitation	-	-	no
Control with black globe thermometer	-	-	no



## DIMENSIONS



## PRODUCTS

SCALDATUTTO CLASSIC FH-V0

Dimensions in mm

**A**

290

**B**

331

**C**

120

## APPLICATIONS

