



# VORTDRY RANGE

Wall-mounted hair dryers

Extremely safe wall-mounted hair dryers with flexible hose (the live electrical components inside the enclosure are totally separate from the user grip dispensing nozzle, connected to the enclosure by means of a flexible tube made of non-conductive material) particularly suitable for use in unattended public areas.

- Low drying times thanks to the correct combination of air jet flow, speed and temperature..
- Ergonomic grip.
- Compliant with the requirements of European Regulation No. 1275/2008/EU.

Automatic start/stop when the nozzle is removed/put back in its place.

Vortdry Plus is equipped with two razor sockets.

Ergonomic nozzle.



VORTDRY 1000 cod. 70920



VORTDRY 1000 PLUS cod. 70921



VORTDRY 1000 JET cod. 70919

## TECHNICAL FEATURES

---

- 3 models, different in size, performance and type of motor.
- Front covers made of self-extinguishing (V0) and shock-proof (ABS) resin, white with chrome-plated inserts.
- Motor mounting flanges made of self-extinguishing plastic resin with mineral-based additive (V0).
- Flexible spiral PVC hose which extends from 50 to 160 cm with nozzle grip made of heat-resistant and shock-proof resin (ABS).
- Thermally protected commutator-type motors with shafts mounted on ball bearings in VORTDRY 1000 and VORTDRY 1000 PLUS and induction in VORTDRY 1000 JET, paired with centrifugal impellers.
- Heating elements protected with thermal fuse and resettable thermal cut-out.
- Sockets for razors compatible with 230 V/50 Hz and 110 V/60 Hz power, with overload protection (VORTDRY 1000 PLUS model).
- Built-in automatic shut off when the nozzle is put back in place or after about 20' of continuous operation.
- Washable dust filters.
- Safety certified by third party entity (CE).
- Protection rating from dust and water: IPX4.
- Class of electrical insulation: II (earthing not required).





# VORTDRY RANGE

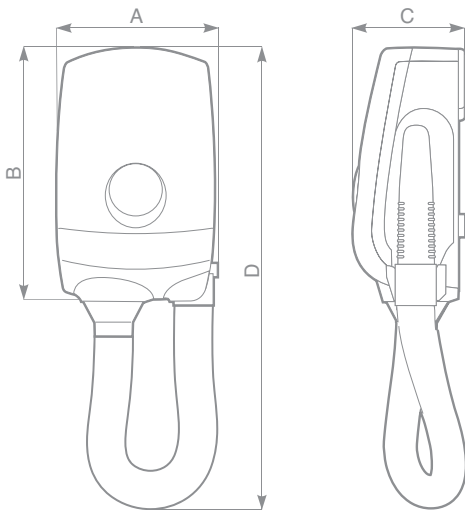
Wall-mounted hair dryers

## TECHNICAL DATA

MODELS	CODE	V~50HZ	W TOTAL	W MOTOR	A MAX	MAX AIRFLOW		Lp dB(A) 1 m	W STAND-BY	IK	KG
						m <sup>3</sup> /h	l/s				
VORTDRY 1000	70920	230	1000	120	4.7	114	31.6	68	0.5050	6	1.5
VORTDRY 1000 PLUS	70921	230	1000	120	4.7	114	31.6	68	0.5050	6	1.9
VORTDRY 1000 JET	70919	230	800	90	3.5	190*	52.7*	62	0.5110	9	3.2

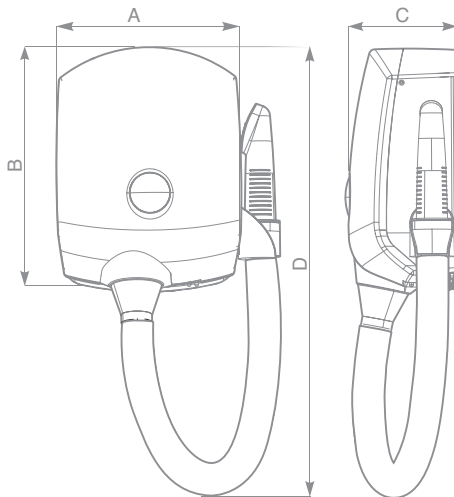
\*FLOW refers to the product without a fitting and corrugated hose.

## DIMENSIONS



MODELS	CODE	A	B	C	D
VORTDRY 1000	70920	190	300	130	550
VORTDRY 1000 PLUS	70921	190	300	130	550

Dimensions (mm)



MODELS	CODE	A	B	C	D
VORTDRY 1000 JET	70919	320	380	160	560

Dimensions (mm)