

## Control Gear Units IP65 for HS and HI Lamps 35 to 150 W

**Encapsulated unit in compact plastic casing**  
**Shape: 61x72 mm**

For high pressure sodium lamps (HS), metal halide lamps (HI) and ceramic discharge lamps (C-HI)  
 Compact control gear unit with ballast with patented, intelligent thermal cut-out with automatic reset (which evaluates the temperature and current of the ballast), digital timer ignitor with IPP++ technology and compensation capacitor with thermal fuse

As individual components no longer need to be wired, there is a significant reduction in assembly time and costs.

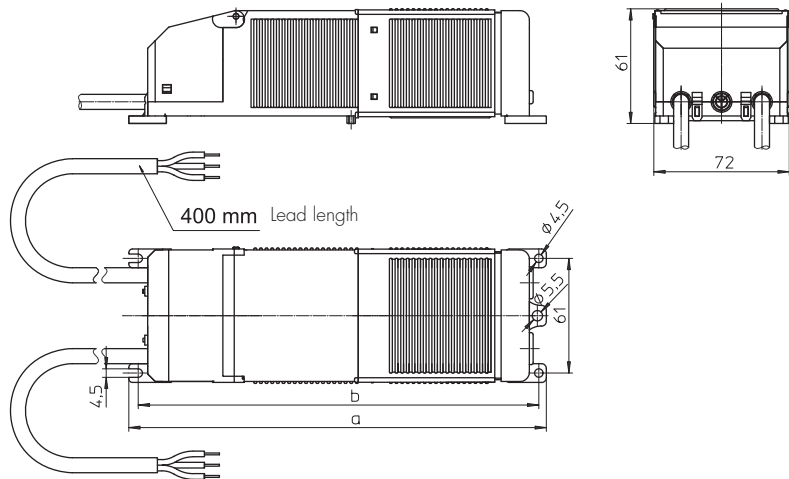
### Protection class II

Degree of protection: IP65

Permissible load capacity: 20–1000 pF

Lead length to the lamp: max. 10 m

tw 130



Lamp			Control gear unit									
Output W	Type	Current A	Type	Ref. No.	Voltage V, Hz	Mains current A	a mm	b mm	Weight kg	t <sub>a</sub> °C	Power factor λ	Energy efficiency
<b>230 V, 50 Hz</b>												
35	HS, HI	0.53	VNaHJ 35PZTG.050*	<b>533391</b>	230, 50	0.240	222	214	1.95	60	0.96	EEI=A3
50	HS, HI	0.76	VNaH 50PZTG.058*	<b>543733</b>	230, 50	0.290	222	214	1.95	60	0.94	EEI=A3
70	HS, HI	0.98	VNaHJ 70PZTG.051*	<b>533392</b>	230, 50	0.370	222	214	1.95	50	0.97	EEI=A3
100	HS, HI	1.20	VNaHJ 100PZTG.078*	<b>533393</b>	230, 50	0.560	249	240	2.25	55	0.90	EEI=A3
150	HS, HI	1.80	VNaHJ 150PZTG.052*	<b>533394</b>	230, 50	0.740	249	240	2.75	50	0.94	EEI=A3
<b>240 V, 50 Hz</b>												
35	HS, HI	0.53	VNaHJ 35PZTG.053	<b>534107</b>	240, 50	0.240	222	214	1.95	60	0.96	EEI=A3
70	HS, HI	0.98	VNaHJ 70PZTG.054	<b>534109</b>	240, 50	0.370	222	214	1.95	50	0.97	EEI=A3
150	HS, HI	1.80	VNaHJ 150PZTG.055	<b>534115</b>	240, 50	0.730	249	240	2.75	50	0.95	EEI=A3
<b>220 V, 60 Hz</b>												
35	HS, HI	0.53	VNaHJ 35PZTG.041	<b>534122</b>	220, 60	0.220	222	214	1.95	70	0.98	EEI=A3
70	HS, HI	0.98	VNaHJ 70PZTG.067	<b>534111</b>	220, 60	0.370	222	214	1.95	50	0.97	EEI=A3
150	HS, HI	1.80	VNaHJ 150PZTG.068	<b>534117</b>	220, 60	0.800	249	240	2.25	45	0.98	EEI=A3

\* Ballasts without CE marking for replacements or markets outside of the EU

## Control Gear Units for HS and HI Lamps 35 to 150 W

**Compact plastic casing**  
**Shape: 64x72 mm**

For high pressure sodium lamps (HS), metal halide lamps (HI) and ceramic discharge lamps (C-HI)  
Compact control gear unit with ballast with patented, intelligent thermal cut-out with automatic reset (which evaluates the temperature and current of the ballast), digital timer ignitor with IPP++ technology and compensation capacitor with thermal fuse

As individual components no longer need to be wired, there is a significant reduction in assembly time and costs.

### Protection class II

Degree of protection: IP40

Permissible load capacity: 20–1000 pF

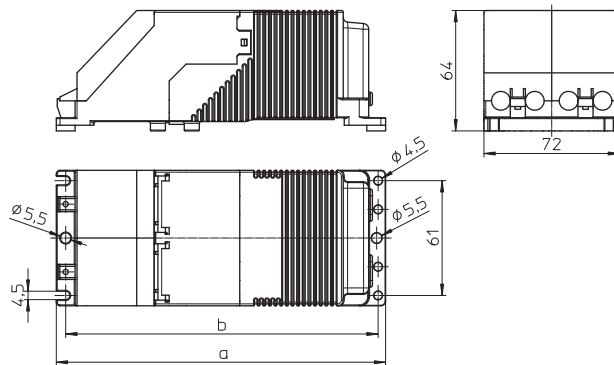
Lead length to the lamp: max. 10 m

tw 130

Push-in terminals: 0.5–2.5 mm<sup>2</sup>

Cord grips for mains and lamp leads

Further outputs and voltages on request



Lamp			Control gear unit									
Output W	Type	Current A	Type	Ref. No.	Voltage AC V, Hz	Mains current A	a mm	b mm	Weight kg	t <sub>a</sub> °C	Power factor λ	Energy efficiency
<b>230 V, 50 Hz</b>												
35	HS, HI	0.53	VNaHJ 35PZTG.568*	<b>536199</b>	230, 50	0.210	175	166	1.32	55	0.92	EEI=A3
70	HS, HI	0.98	VNaHJ 70PZTG.203	<b>563416</b>	230, 50	0.380	214	205	2.25	45	0.91	<b>A2</b>
			VNaHJ 70PZTG.566*	<b>535657</b>	230, 50	0.380	175	166	1.32	45	0.91	EEI=A3
100	HS, HI	1.20	VNaHJ 100PZTG.202	<b>563417</b>	230, 50	0.560	214	205	2.25	45	0.85	<b>A2</b>
			VNaHJ 100PZTG.571*	<b>536200</b>	230, 50	0.560	214	205	1.85	45	0.85	EEI=A3
150	HS, HI	1.80	VNaHJ 150PZTG.567*	<b>535695</b>	230, 50	0.720	214	205	2.25	45	0.91	EEI=A3
<b>240 V, 50 Hz</b>												
35	HS, HI	0.53	VNaHJ 35PZTG.568	<b>536201</b>	240, 50	0.210	175	166	1.32	55	0.94	EEI=A3
70	HS, HI	0.98	VNaHJ 70PZTG.566	<b>536202</b>	240, 50	0.370	175	166	1.32	40	0.94	EEI=A3
100	HS, HI	1.20	VNaHJ 100PZTG.571	<b>536203</b>	240, 50	0.560	214	205	1.85	40	0.86	EEI=A3
150	HS, HI	1.80	VNaHJ 150PZTG.567	<b>536204</b>	240, 50	0.730	214	205	2.25	40	0.91	EEI=A3
<b>220 V, 60 Hz</b>												
35	HS, HI	0.53	VNaHJ 35PZTG.574	<b>536205</b>	220, 60	0.220	175	166	1.32	60	0.98	EEI=A3
70	HS, HI	0.98	VNaHJ 70PZTG.575	<b>536207</b>	220, 60	0.370	175	166	1.32	50	0.97	EEI=A3
150	HS, HI	1.80	VNaHJ 150PZTG.576	<b>536209</b>	220, 60	0.800	214	205	2.25	45	0.98	EEI=A3

\* Ballasts without CE marking for replacements or markets outside of the EU