

LED Modules ReadyLine S IP54

Built-in LED modules with integrated driver for direct connection to mains voltage

Technical notes

Mains voltage: 220–240 V, 50/60 Hz

Power factor: > 0.97

Surge protection: 1 kV

Leads: Cu tinned, stranded conductors 0.5 mm², double FEP/FEP-insulation, length: 300 mm

Initially colour accuracy: 3SDCM

Protection cover: PC, UV-glued or rivetted (module with heat sink)

Fixation for modules

- with heat sink: fixing holes for screws M4 or self-tapping screws 3.9
- with cover: fixing holes for screws M3 or self-tapping screws 2.9

Lumen maintenance: L70/B50, 50,000 hrs. at $t_c/t_p = 75\text{ °C}$

Max. operating temperature at t_c/t_p point: 85 °C

Degree of protection: IP54

For luminaires of protection class I

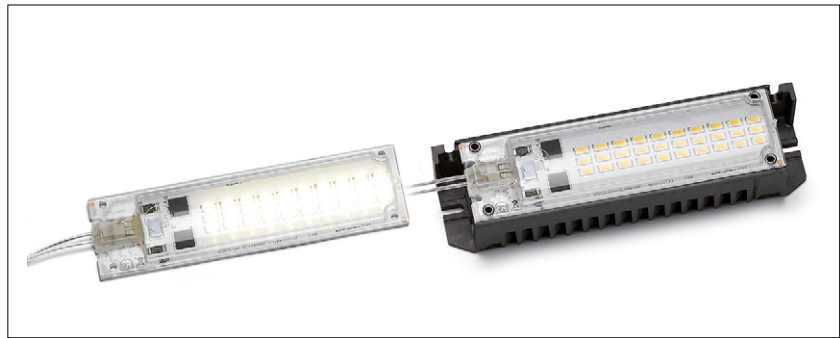
(you will find further information in our "Innovative Systems 2016" catalogue on page 229)

RFI suppressed

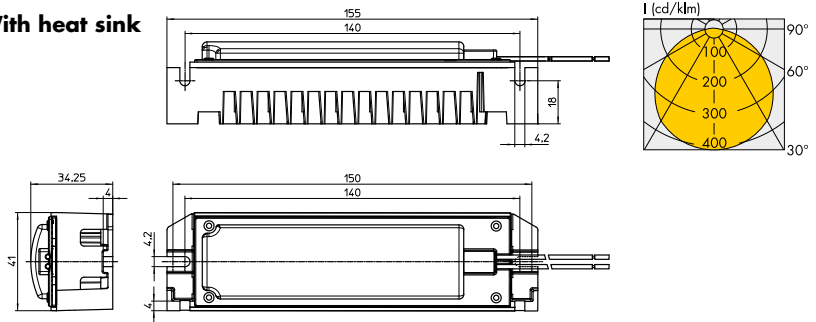
THD: < 20%

Weight: 35/140 g (without/with heat sink)

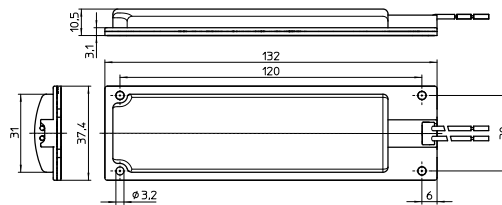
Packaging unit: 80/40 pcs. (without/with heat sink)



With heat sink



Without heat sink



Max. output W	Type	Ref. No.		Voltage AC 50/60 Hz V	Number of LEDs pcs.	Colour	Correlated colour temperature K	Cover	Luminous flux lm		CRI R _a	Energy efficiency
		with heat sink	without heat sink						min.	typ.		
8.7	LUT33	567668	567662	220–240	21	warm white	2600...2900	clear	640	700	> 80	A+
	LUT33	567669	567663						diffuse	570	640	
	LUT33	567670	567664	220–240	21	warm white	2900...3200	clear	760	820	> 80	A+
	LUT33	567671	567665						diffuse	660	720	
	LUT33	567672	567666	220–240	21	neutral white	3700...4200	clear	780	850	> 80	A+
	LUT33	567673	567667						diffuse	710	780	
13	LUT33	559531	559535	220–240	30	warm white	2600...2900	clear	960	1000	> 80	A+
	LUT33	559532	559536						diffuse	870	900	
	LUT33	555875	556745	220–240	30	warm white	2900...3200	clear	1180	1260	> 80	A+
	LUT33	556753	556746						diffuse	1150	1150	
	LUT33	556755	556747	220–240	30	neutral white	3700...4200	clear	1200	1290	> 80	A+
	LUT33	556756	556748						diffuse	1110	1210	

Accessories	Description	Tape thickness	Thermal conductivity	Breakdown voltage*
552039	Cord grip with 2 screws for LED modules with heat sink	—	—	—
553427**	Thermally conductive transfer tape, non-adhesive	0.25 mm	2 W/mK	3 kV
555008***	Thermally conductive transfer tape, adhesive on both sides	0.19 mm	0.9 W/mK	10.3 kV

* Average value (not for specification purpose) | ** Optional for use in luminaires of protection class I | *** Mandatory for use in luminaires of protection class II

The values contained in this data sheet can change due to technical innovations. Any such changes will be made without separate notification.