

Lampholders for Discharge Lamps

Fc2 lampholder

Casing: ceramic, T250

Nominal rating: 10/500/5 kV, contacts: Ni

Lead: Cu tinned, stranded conductors 1 mm²,

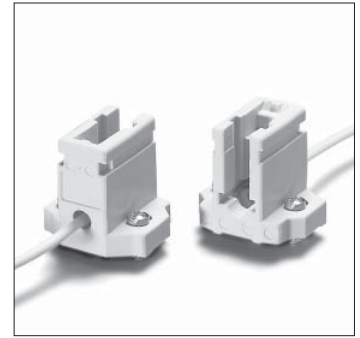
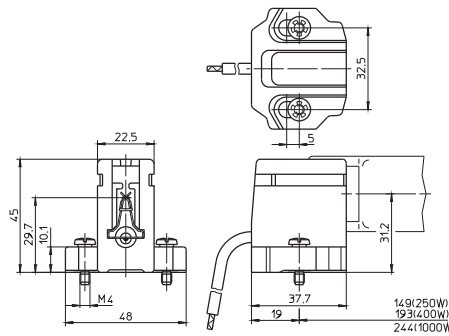
Si-insulation max. Ø 3.6 mm, length: 300 mm

Fixing screws M4, captive

Weight: 102 g, unit: 25 pcs.

Type: 02575 adjustable fixing

Ref. No.: 100098



Fc2 lampholder

Casing: ceramic, T250

Nominal rating: 10/500/20 kV, contacts: Ni

Lead: Cu tinned, stranded conductors 1 mm²,

Si-insulation with spun glass filler Ø 7 mm,

for ignition voltage: max. 20 kV,

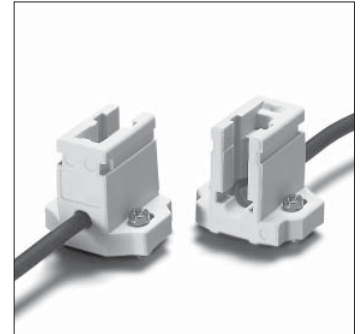
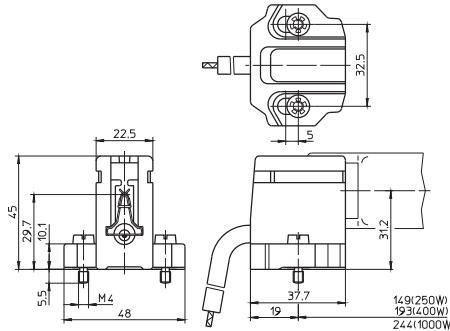
length: 500 mm

Fixing screws M4, captive

Weight: 120 g, unit: 25 pcs.

Type: 02525 rigid fixing

Ref. No.: 100082



Fc2 lampholder

Casing: ceramic, T250

Nominal rating: 10/500/20 kV, contacts: Ni

Lead: Cu tinned, stranded conductors 1 mm²,

Si-insulation with spun glass filler Ø 7 mm,

for ignition voltage: max. 20 kV,

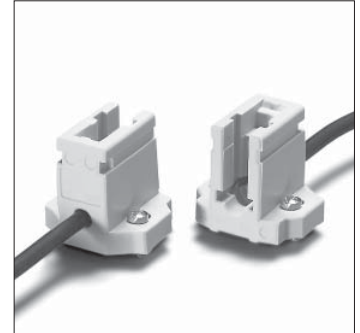
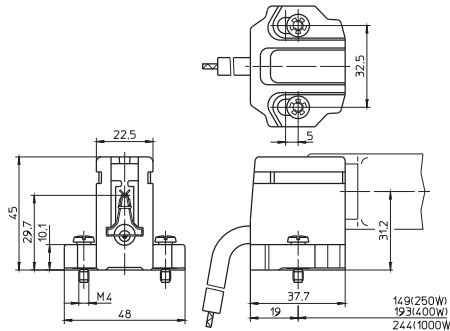
length: 500 mm

Fixing screws M4, captive

Weight: 120 g, unit: 25 pcs.

Type: 02543 adjustable fixing

Ref. No.: 100086



Lamp safety catch

For push-fit onto the lampholders 100082,

100086, 100096 and 100098

Casing: ceramic

Spring: stainless steel

Weight: 21 g, unit: 50 pcs.

Type: 86037

Ref. No.: 103818

