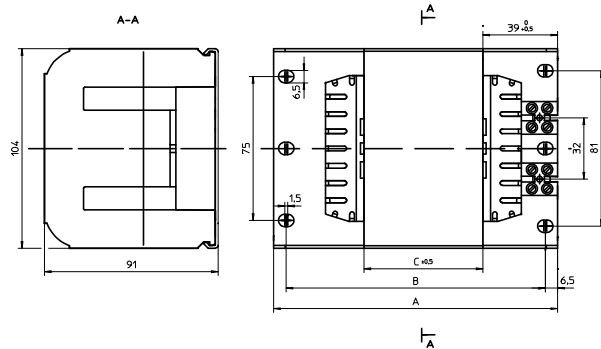
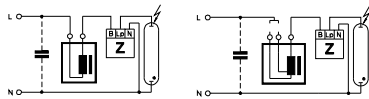


## Ballasts for HS and HI Lamps 250 to 1000 W

Shape: 91x104 mm

For high pressure sodium lamps (HS), metal halide lamps (HI) and ceramic discharge lamps (C-HI)  
Vacuum-impregnated with polyester resin  
Screw terminals: 0.75–2.5 mm<sup>2</sup>  
Protection class I  
tw 130



Lamp			Ballast										Capacitor	
Output W	Type	Current A	Type	Ref. No.	Voltage AC V, Hz	a mm	b mm	c mm	Weight kg	Δt K	Power factor λ	Energy efficiency	C <sub>p</sub> μF	I <sub>N</sub> A
250	HS, HI	3.00	NaHJ 250.727*	<b>571042</b>	230, 50	133	120	42	3.30	75	0.39	EEL=A3	32	1.26
			NaHJ 250.727	<b>571049</b>	240, 50	133	120	42	3.40	75	0.39	EEL=A3	32	1.21
400	HS, HI	4.45	NaHJ 400.006	<b>571044</b>	220, 50	148	135	62	4.57	75	0.44	<b>A2</b>	45	2.00
			NaHJ 400.006	<b>571047</b>	230, 50	148	135	62	4.57	80	0.44	<b>A2</b>	45	1.95
			NaHJ 400.737	<b>571054</b>	230/240, 50	148	135	62	4.7	75	0.45	<b>A2</b>	45	2.00/1.95
			NaHJ 400.737	<b>571050</b>	240, 50	148	135	62	4.61	80	0.43	<b>A2</b>	45	1.90
			NaHJ 400.012	<b>571057</b>	220, 60	148	135	68	4.45	75	0.44	<b>A2</b>	40	2.00
600	HS	6.20	NaH 600.010	<b>571045</b>	220, 50	173	160	96	6.78	75	0.44	<b>A2</b>	65	2.90
			NaH 600.005	<b>571055</b>	230/240, 50	173	160	96	6.89	75	0.44	<b>A2</b>	65	2.90/2.85
			NaH 600.140	<b>571058</b>	220, 60	173	160	96	6.79	75	0.46	<b>A2</b>	55	3.00
1000	HS	10.30	NaHJ 1000.089	<b>571043</b>	220, 50	248	235	160	11.31	75	0.47	<b>A2</b>	100	5.1
	HI	9.50								75	0.51	<b>A2</b>	85	5.0
	HS	10.30	NaHJ 1000.089	<b>571046</b>	230, 50	248	235	160	11.4	75	0.45	<b>A2</b>	100	5.1
	HI	9.50								75	0.49	<b>A2</b>	85	5.0
	HS	10.30	NaHJ 1000.089	<b>571051</b>	230/240, 50	248	235	160	11.57	75	0.45	<b>A2</b>	100	5.1
	HI	9.50								75	0.46	<b>A2</b>	85	5.0
	HS	10.30	NaHJ 1000.089	<b>571048</b>	240, 50	248	235	160	11.45	75	0.42	<b>A2</b>	100	4.8
	HI	9.50								75	0.46	<b>A2</b>	85	4.9
	HS	10.30	NaHJ 1000.089	<b>571056</b>	220, 60	248	235	160	11.13	75	0.46	<b>A2</b>	100	5.1
	HI	9.50								75	0.50	<b>A2</b>	85	5.0

\* Ballasts without CE marking for replacements or markets outside of the EU

## With Thermal Cut-out

Thermal cut-out with automatic reset

Lamp			Ballast										Capacitor	
Output W	Type	Current A	Type	Ref. No.	Voltage AC V, Hz	a mm	b mm	c mm	Weight kg	Δt K	Power factor λ	Energy efficiency	C <sub>p</sub> μF	I <sub>N</sub> A
250	HS, HI	3.00	NaHJ 250.727*	<b>571052</b>	230/240, 50	133	120	42	3.40	75	0.39	EEL=A3	32	1.26/1.21
400	HS, HI	4.45	NaHJ 400.737	<b>571053</b>	230/240, 50	148	135	62	4.7	75	0.43	<b>A2</b>	45	1.95/1.90

\* Ballasts without CE marking for replacements or markets outside of the EU

The values contained in this data sheet can change due to technical innovations. Any such changes will be made without separate notification.